



# BT8442

## UNIVERSAL FLAT SCREEN WALL MOUNT



Designed for large sized screens, the BT8442 supports weights up to 80kg and features a low-profile design that mounts screens just 30mm from the wall. The universal interface accommodates mounting patterns up to 656 x 400mm and comes with adjustment screws which allow the screen to be levelled once mounted.

SPECIFICATION	
Recommended screen size	up to 80"
Max load	80kg*
VESA® & non-VESA fixings	up to 656 x 400mm
Distance from wall	30mm
Colour	Black

\*Please note the maximum load is reduced to 50kg when single pole mounted

### FEATURES

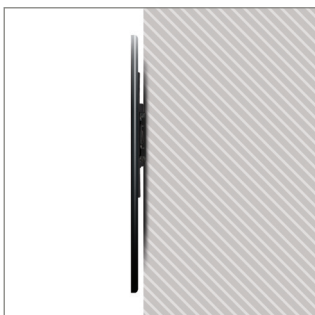
- Low profile design for a close to the wall installation
- Lateral adjustment of screen once mounted
- Keyhole mounting for easy installation
- Levelling screws allow adjustment of screen height
- Compatible with B-Tech's collar and pole system for pole mounting screens
- Includes locking bar, security locking screws and Allen key to prevent unauthorised removal of the screen
- Simple 'hook-on' installation
- All mounting hardware included



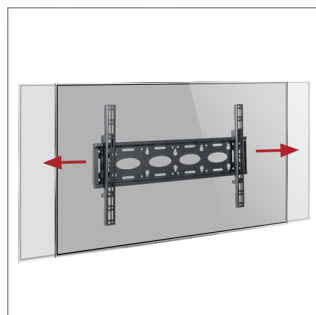
**80"**  
203cm

**VESA**  
**600**  
**400**

**80KG**



Low profile design mounts screen only 30mm from the wall



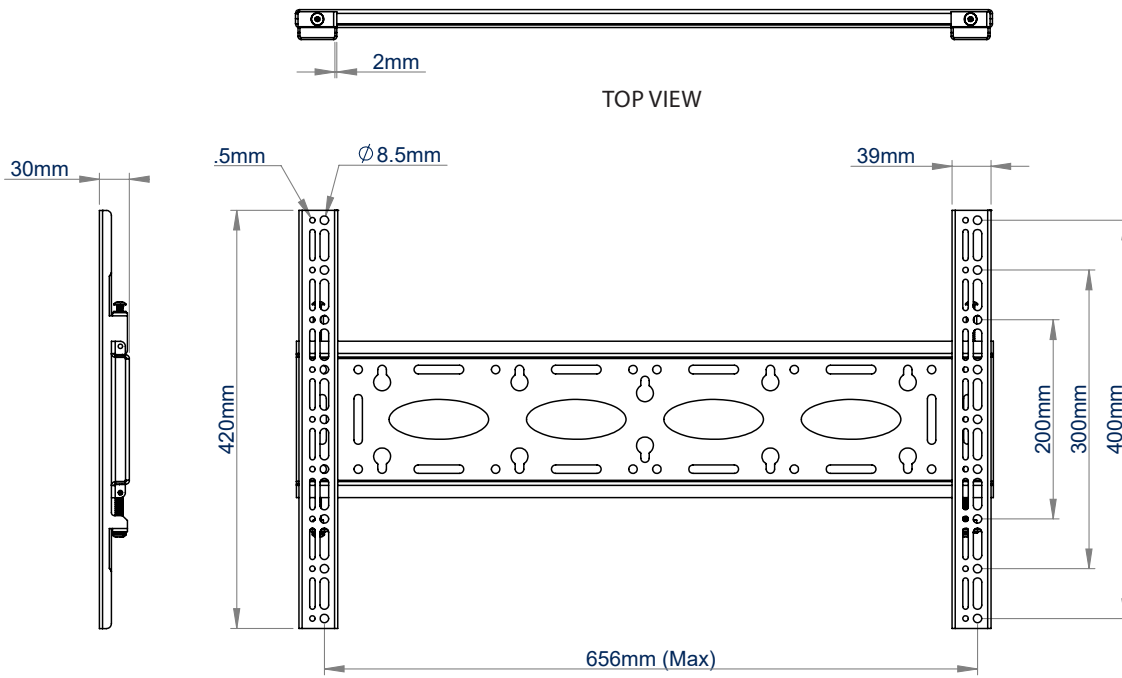
Lateral adjustment of screen once mounted



Levelling screws allow adjustment of screen height

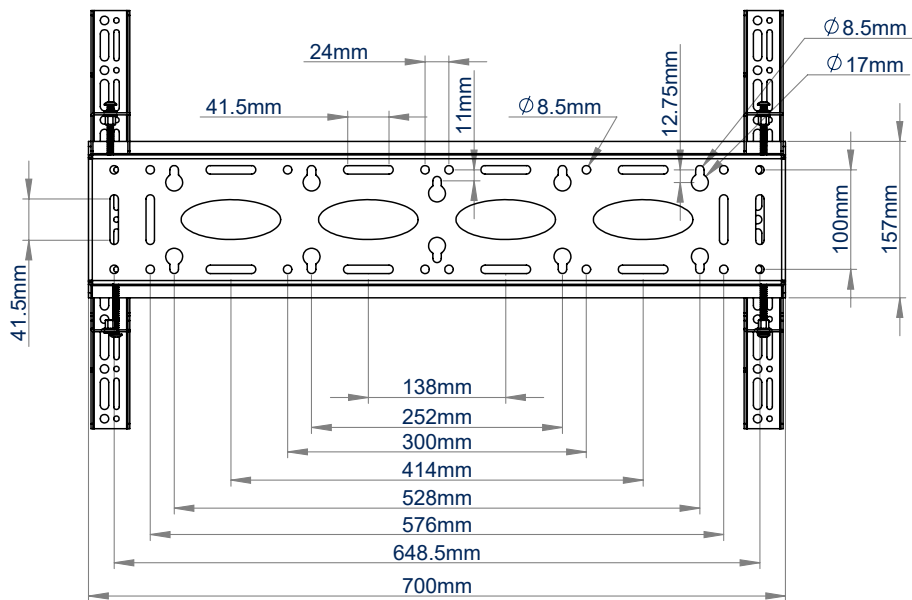


Security locking screws help prevent unauthorised removal of screens



SIDE VIEW

FRONT VIEW



REAR VIEW

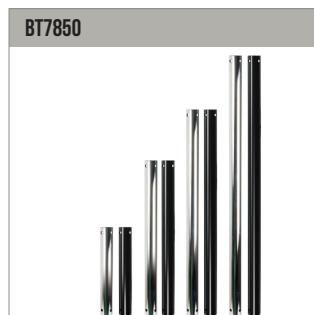
PACKING INFORMATION

COLOUR:	ORDER REF:	EAN CODE:	MASTER CARTON QTY:	INNER CARTON QTY:	MASTER CARTON WEIGHT:	MASTER CARTON CUBE:
Black	BT8442/B	5019318651229	4	0	16kg	0.0278cbm

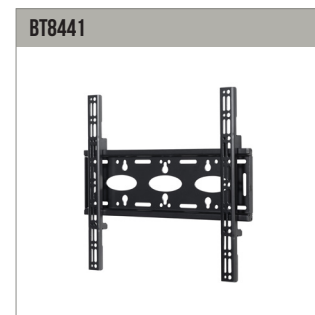
RELATED PRODUCTS



**BT7822**  
Heavy Duty Floor / Ceiling Mount for ø50mm poles



**BT7850**  
50mm Diameter Poles available as 0.25m - 3m in Black, White or Chrome



**BT8441**  
Flat Screen Wall Mount for screens with VESA fixings up to 400 x 400mm



**BT8432**  
Flat Screen Wall Mount with Tilt for screens with VESA fixings up to 600 x 400mm

© 2015 B-Tech Professional Design & Manufacturing Ltd. All rights reserved.  
The information in this specification is intended to provide a general overview of the product and is not intended to be used as a substitute for the manufacturer's instructions. B-Tech Professional Design & Manufacturing Ltd. is not responsible for any damage or loss of data caused by improper use of the product. Any reproduction or modification of any part of this specification is strictly prohibited unless prior written permission has been granted by B-Tech Professional Design & Manufacturing Ltd. (B-Tech).  
SS-V4-BT8442-190623