



FEATURES UP TO 90° TILT ADJUSTMENT

BT8540

LOW LEVEL FLAT SCREEN TROLLEY



Designed to mount screens and interactive displays at a low level, the BT8540 features an incremented tilt adjustment up to 90° for the perfect viewing angle, making it ideal for information points in art exhibits and museums or for on stage autocue screens. Braked castors allow the install to be easily repositioned, and height adjustable levelling feet are also included to create a freestanding configuration if required.

| SPECIFICATION | |
|---------------------------|-------------------------------|
| Recommended screen size | 39" - 65" |
| Max load | 70kg |
| VESA® compatibility | 600 x 400 |
| Tilt adjustment | 0°, 22.5°, 45°, 67.5° and 90° |
| Dimensions (with castors) | W: 1096mm H: 920mm D: 738mm |

FEATURES

- Universal design suitable to mount screens and interactive displays at a low level
- Features tilt adjustment in incremented positions for the perfect viewing angle
- Ideal for creating information points in retail applications or museum exhibitions
- Includes non-marking 3" locking/braked castors & alternative levelling feet
- Security screws helps secure screen to stand and prevents unauthorised removal
- Other height options can be requested to accommodate the install
- Simple 'hook-on' installation
- All mounting hardware supplied



65" / 165CM

VESA 600 / 400

70KG

90°

↔

●



Features tilt adjustment in incremented positions for the perfect viewing angle



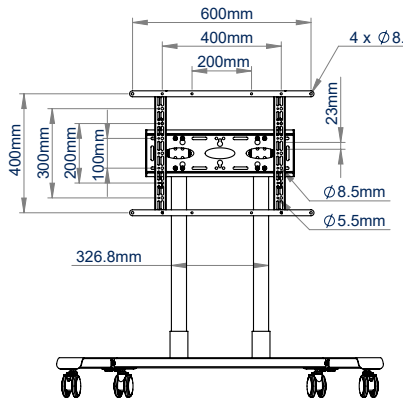
Non-marking 3" locking/braked castors included for easy repositioning



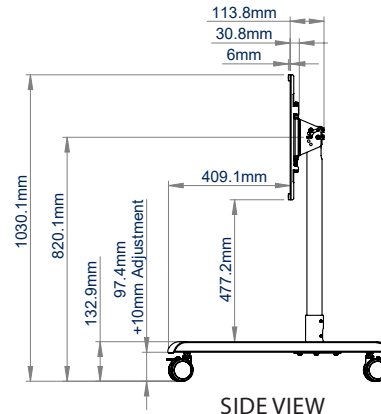
Cable management included for a neat and tidy installation



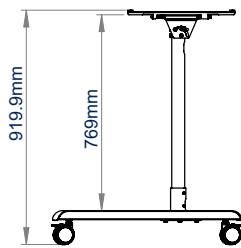
Security screws helps secure screen to stand and prevents unauthorised removal



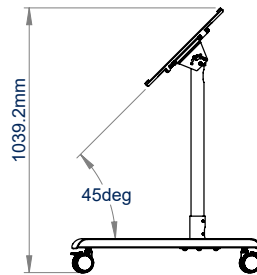
FRONT VIEW



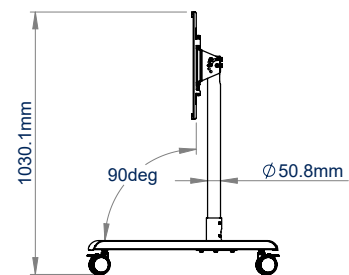
SIDE VIEW



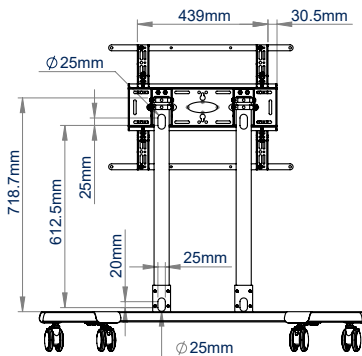
0° TILT



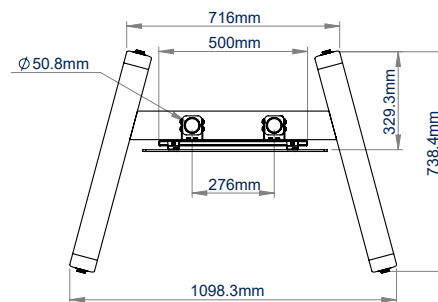
45° TILT



90° TILT



REAR VIEW



TROLLEY BASE

PACKING INFORMATION

| COLOUR: | ORDER REF: | EAN CODE: |
|---------|--------------|---------------|
| Black | BT8540/B V 2 | 5019318089336 |

ORIGINAL DESIGNS BY B-TECH AV MOUNTS - REGISTERED DESIGNS & PATENTS APPLY

ACCESSORIES AND SIMILAR PRODUCTS



BT7032
Large AV Accessory Shelf is ideal for adding AV accessories such as a Blu-Ray player or laptop to an installation



BT7052
50mm Accessory Collar for fixing mounts and accessories to Ø50mm poles



BT8541
Low Level Flat Screen Display Stand with a tilt adjustment of up to 90°, for screens up to 65"



BT8504
Flat Screen Display Trolley/Stand designed for screens up to 70" and 70kg

© 2015 B-Tech Av Mounts. All rights reserved. The information in this specification sheet reflects the current technical specifications at the time of print. We reserve the right to change the technical or physical specifications without prior notice. This B-Tech Av Mounts logo and design are registered trademarks of B-Tech Av Mounts. All other trademarks are the property of their respective owners. B-Tech Av Mounts is not responsible for any damage caused by improper or incorrect installation, use, or repair. Any reproduction or retransmission or replication of any part of this specification is strictly prohibited, unless prior written permission has been granted by B-Tech Av Mounts Manufacturing Ltd. (B-Tech Av Mounts).

SS-V5.1-BT8540-V2-170822