



**SIMPLE  
 'HOOK-ON'  
 INSTALLATION**

# BT7360

## DESK STAND FOR TOUCH SCREENS

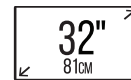
The BT7360 universal desk stand is suitable for use with touch screens up to 32" and a max weight of 10kg. The stand can easily be placed on a desk and the integrated cable management ensures a neat and tidy installation. The stand also features rubber feet that help to protect the desk from unwanted scratches or marks.

### SPECIFICATION

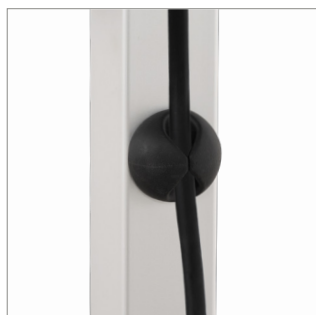
Recommended screen size	up to 32"
Max load	10kg
VESA® compatibility	50 x 50 up to 100 x 100
Dimensions	W: 251mm H: 514mm D: 230mm
Base thickness	6mm
Colour (Base / Mount)	Black
Colour (Column)	Silver

### FEATURES

- Security locking Screws and allen key provided help prevent unauthorised removal of screen
- Heavy duty base is ideal for supporting interactive touchscreens
- Screen can be mounted in either landscape or portrait
- Suitable for 50 x 50, 75 x 75 and 100 x 100 VESA fixings
- High-end aesthetic quality
- Rubber feet to protect desk
- Integrated cable management
- Simple 'hook-on' installation



Rubber feet protect the desk from marks and scratches



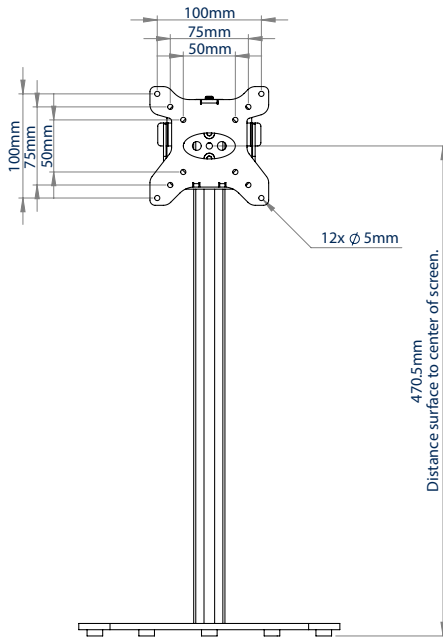
Integrated cable management for a neat and tidy installation



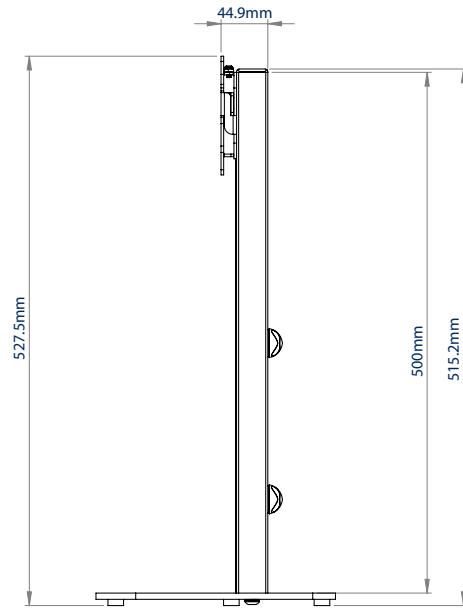
Security locking screw helps prevent unauthorised removal of the screen



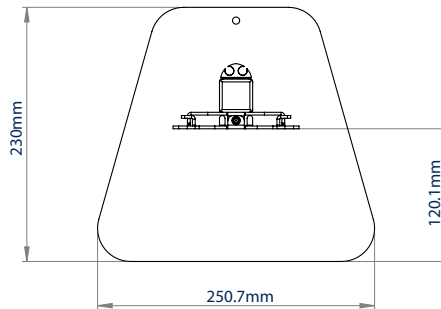
Screen can be mounted in portrait or landscape up to VESA 100 x 100



FRONT VIEW



SIDE VIEW



TOP VIEW

PACKING INFORMATION

COLOUR:	ORDER REF:	EAN CODE:
Black/Silver	BT7360/BS	5019318306242

ORIGINAL DESIGNS BY B-TECH AV MOUNTS - REGISTERED DESIGNS & PATENTS APPLY

RELATED PRODUCTS



**BT7372**  
Single Arm Premium Desk Mount  
designed for screens up to 28"



**BT7373**  
Double Arm Premium Desk Mount  
designed for screens up to 28"



**BT7374**  
Twin Flat Screen Desk Mount with Dual  
Articulated Arms for screens up to 28"



**BT7361**  
Universal Desk Stand With Tilt designed  
for touch screens up to 32"

© 2022 B-Tech International Design & Manufacturing Ltd. All rights reserved.  
The B-Tech logo and the B-Tech name are registered trademarks of B-Tech International Design & Manufacturing Ltd.  
All other trade and product names are trademarks of their respective owners. All fit for images and symbols are the sole property of B-Tech International Design & Manufacturing Ltd.  
Specifications are subject to change without prior notice. All dimensions are in millimeters unless otherwise stated. B-Tech International Design & Manufacturing Ltd. is not responsible for any errors or omissions in this document.

SS-VI-BT7360-300322