



**CAPABLE OF
 BACK-TO-BACK
 MOUNTING**

BT8332

UNIVERSAL CEILING MOUNTED MENU BOARD MOUNTING SYSTEM



The BT8332 is a modular ceiling mounting system for menu board installations of any size. The BT8332 can mount screens in landscape or portrait orientations with the option for tilt adjustment up to +20° for enhanced overhead visibility, perfect for fast food restaurants. As part of the System X range, the BT8332 can be used in thousands of different configurations and must be ordered according to your requirements using B-Tech's online configuration tool (see below, right).

SPECIFICATION

Recommended screen size	32" - 75"
Max load	50kg per screen
Tilt range (tilt arms only)	+20°
VESA® & non-VESA fixings	up to 900mm*
Pole lengths	0.5m up to 3m (can be cut or joined)
Colour options (poles & ceiling mounts)	Black, White or Chrome
Colour options (rails)	Silver or Black

*Refers to maximum vertical fixing dimension for a typical configuration. Correctly sized interface arms and adaptors will be supplied as necessary to suit the mounting pattern you require.

FEATURES

- Universal design suitable for all sized screens up to 50kg (per screen)
- High-end aesthetic quality
- Suitable for landscape or portrait mounting
- Choice of fixed or tilting interface arms available to suit a range of installs
- Suitable for landscape, portrait and back-to-back mounting
- Interface arms available for portrait mounting XXL screens with vertical fixings up to 800mm or 900mm'
- All arms feature levelling screws to adjust the screen height
- Tilting arms feature up to +20° tilt adjustment for enhanced overhead visibility
- Multiple rail lengths available (rails can be also be joined)
- TUV certified



SYSTEM X™



75" 190cm VESA 900 50KG 20°

PER SCREEN

CREATE YOUR MOUNTING SYSTEM ONLINE

SPECIFY YOUR VIDEO WALL & MENU BOARD REQUIREMENTS ONLINE AND OUR SYSTEM X CONFIGURATION TOOL WILL CREATE A MOUNTING KIT TO SUIT YOUR NEEDS

There are thousands of System X configurations available! Visit our online configuration tool to specify setups, number of screens, number of rows and orientation.

Try now at www.btechavmounts.com/systemx-configurator



Choice of fixed, tilting or pop out interface arms available to suit a range of installs



Suitable for landscape, portrait and back-to-back mounting



Multiple rail lengths available (rails can also be joined to create larger installs)



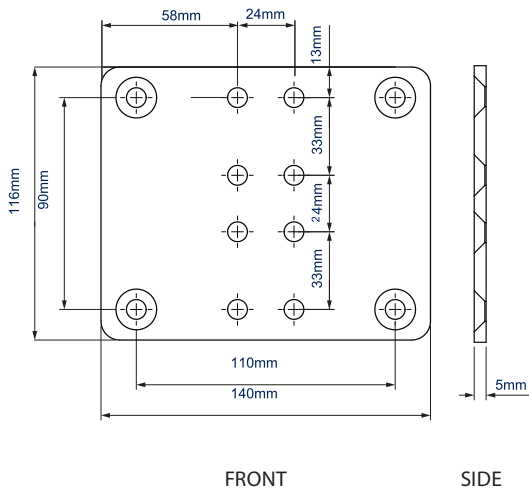
Can also be mounted from the ceiling or in floor-to-ceiling configurations



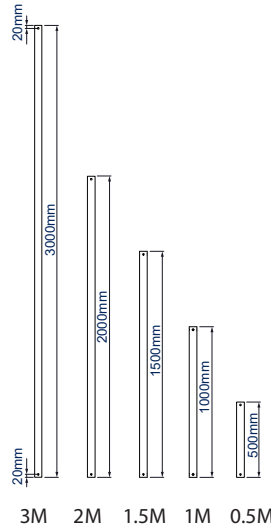
BT8332 configurations are made to your exact requirements and, as a result, utilise a varying combination of System X components in order to create the perfect solution. Below are technical drawings for the standard components used in every BT8332 configuration: **BT7822** Ceiling Mount, **BT8390-CFK** Collar Fixing Kit, **BT7850** Ø50mm Poles and **BT8390** Mounting Rails (available in the lengths shown). Please visit our System X online configuration tool at www.btechavmounts.com/systemx-configurator to specify your requirements. All dimensions will be automatically calculated and a complete mounting solution with all required parts will be created for you.



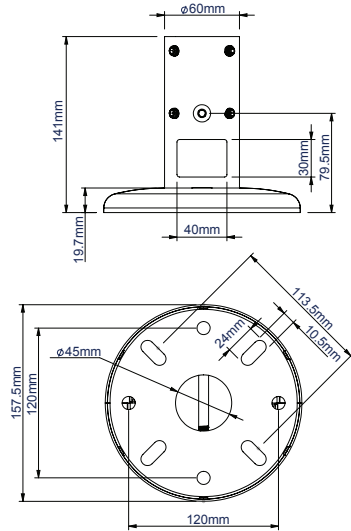
BT8390-CFK COLLAR FIXING KIT



BT7850 Ø50MM POLES

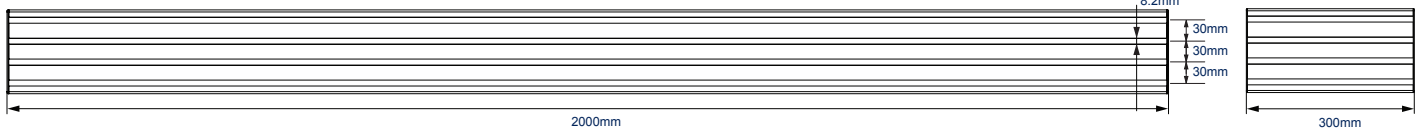


BT7822 CEILING / FLOOR MOUNT

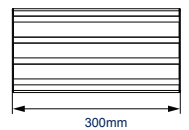


BT8390 MOUNTING RAIL LENGTHS

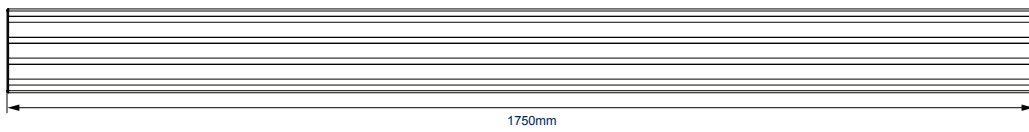
BT8390-200



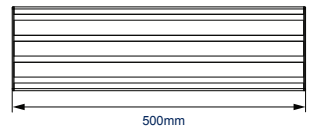
BT8390-030



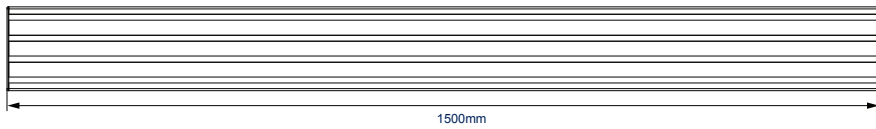
BT8390-175



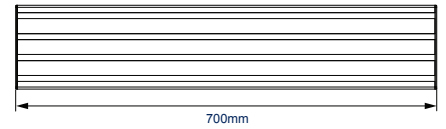
BT8390-050



BT8390-150



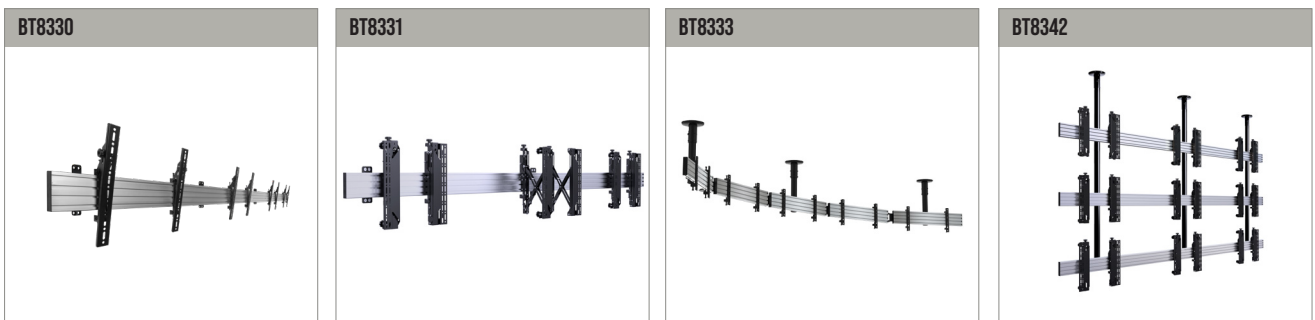
BT8390-070



PACKING INFORMATION

COLOUR:	ORDER REF:	EAN CODE:	COLOUR:	ORDER REF:	EAN CODE:
Black / Silver	BT8332/BS	5019318302190	Chrome / Silver	BT8332/CS	5019318302206
White / Silver	BT8332/WS	5019318302213	Black / Black	BT8332/BB	5019318501678

ACCESSORIES and RELATED PRODUCTS



BT8330
 Universal Menu Board Mounting System for wall mounted menu board configurations

BT8331
 Universal Pop-In, Pop-Out Menu Board System for menu board configurations

BT8333
 Curved Universal Ceiling Mounted Menu Board Mounting System or landscape or portrait mounting

BT8342
 Universal Ceiling Mounted Video Wall System for video wall configurations

© 2018 B-Tech Av Mounts. All rights reserved. This information is provided for informational purposes only. It is not intended to constitute an offer or any other financial product. B-Tech Av Mounts is a registered trademark of B-Tech Av Mounts. All other trademarks are the property of their respective owners. B-Tech Av Mounts is not responsible for any damage or loss of data caused by improper use, installation or maintenance of any part of this product. Please refer to the user manual for more information. B-Tech Av Mounts is not responsible for any damage or loss of data caused by improper use, installation or maintenance of any part of this product. Please refer to the user manual for more information.