

BT8587

BOLT-DOWN COLUMN MOUNTED DIGITAL SIGNAGE STAND WITH RETRACTABLE BASE

BT8587 is a premium display stand designed for use with extra-large screens up to 86". The retractable floor base allows the stand to be smoothly moved up to 400mm backwards; ideal for servicing and maintenance of hardware. Suitable for screens with VESA fixings up to 800x600, the screen can be easily mounted at any height on the column. Collar compatible accessories such as shelves can also be added to the column.

SPECIFICATIONS


Recommended screen size	up to 86"
Max load	70kg
VESA® & non-VESA fixings	800mm x 600mm
Stand dimensions	W: 700mm H: 1911mm D: 426-832mm
Base dimensions	W: 262mm H: 88mm D: 426-832mm
Maximum retraction	400mm
Colour	Black

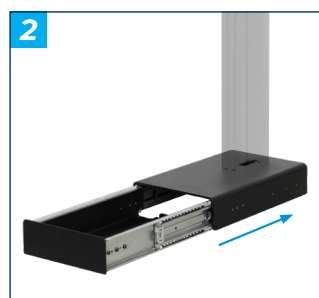
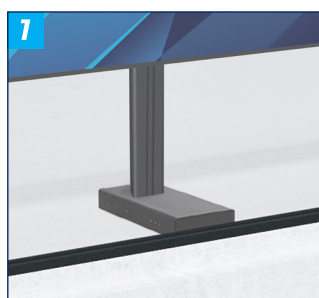


FEATURES

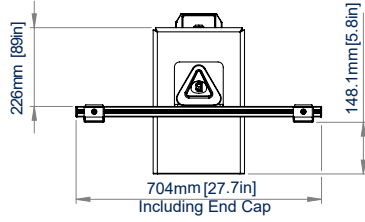
- 1 Ideal for shop fronts, close-to-the-window installations
 - 2 Sliding floor base retracts the column/display stand backwards
 - 3 Collar compatible accessories can be fitted directly to the column
 - 4 Integrated cable management
- Suitable for portrait or landscape mounting
 - Small footprint for an unobtrusive installation into confined areas
 - Internal storage area in base, ideal for power supplies, extension cord etc.
 - Lockable mechanism
 - All mounting hardware included



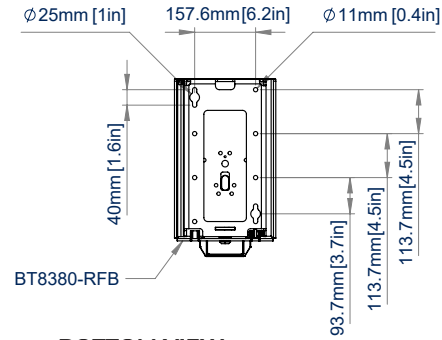
RECOMMENDED MAX SCREEN	MAX LOAD	MAX VESA	POST INSTALL ALIGNMENT	QR CODE
86" 218cm	70kg	800 x 600	← →	



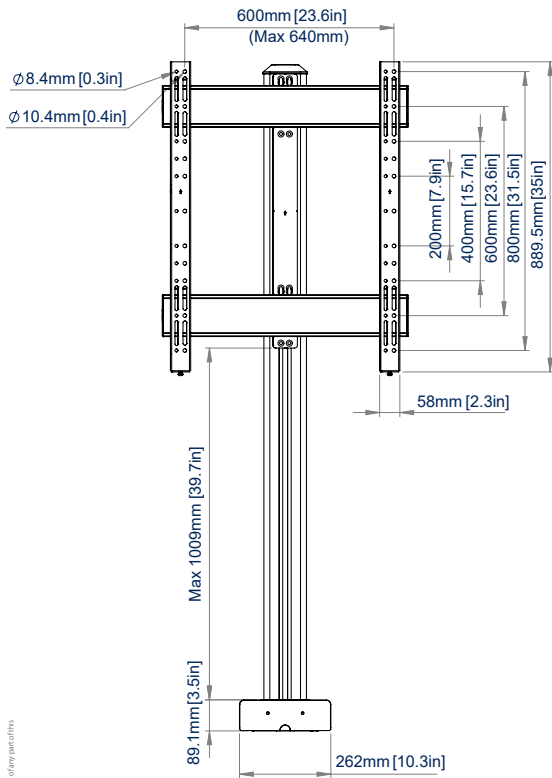
BT8587



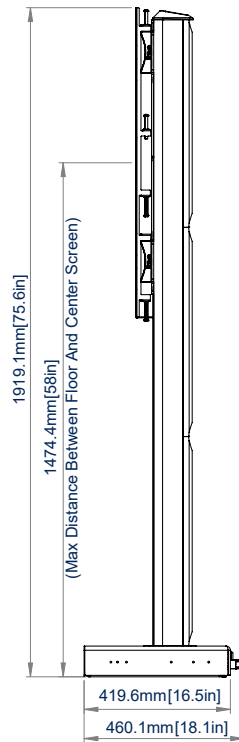
TOP VIEW



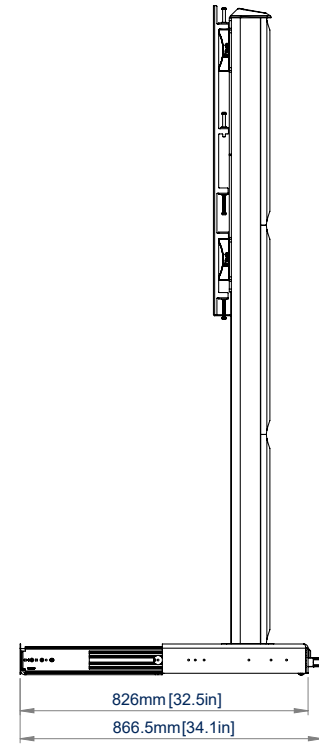
BOTTOM VIEW
RETRACTABLE BASE



FRONT VIEW



SIDE VIEW



SIDE VIEW
EXTENDED

ORDERING INFORMATION

COLOUR	ORDER REF	EAN
Black	BT8587/B	5019318308857

RELATED PRODUCTS

PRODUCT CODE	NAME	DESCRIPTION
BT8577	Bolt-Down Retractable Digital Signage Stand	For screens up to 75" and 40kg
BT9377	Bolt-Down Retractable dvLED Videowall Stand	Ideal for close to window retail installs
BT8377	Bolt-Down Retractable Videowall Stand	For screens up to 75" and 75kg per column
BT8380-RFB	Bolt-Down Retractable Floor Base	Allows front access to installs that are fitted close to store windows

© 2018 B-Tech AV Mounts. All rights reserved. The information on this specification sheet reflects the current technical specifications at the time of printing. We reserve the right to change the technical or physical specifications without prior notice. This B-Tech name and the B-Tech logo are registered trademarks of B-Tech AV Mounts Co. Ltd. B-Tech is not responsible for any damage or loss of data caused by improper installation or mounting on unstable structures. Any reproduction or use without our express permission is strictly prohibited. Our products are made in China. B-Tech AV Mounts Co. Ltd. 2018.

SS-BT8587-260624