



AVAILABLE  
 IN MULTIPLE  
 CONFIGURATIONS

# BT8376

## UNIVERSAL FREESTANDING CURVED VIDEO WALL STAND

Designed to create curved videowalls, the BT8376 is a freestanding mounting solution with a universal design suitable for all videowall screens from 39" to 75". As part of B-Tech's dynamic System X range, this contemporary mounting solution is lightweight yet incredibly strong, has a high-end aesthetic quality and comes with important time saving features such as integrated angle guides, tool-less micro-adjustment and a universal screen position spacer to speed up the installation process.

SHOWN IN A 4X2  
 CONFIGURATION



### SPECIFICATION

For screen sizes	39" - 75"
Max load	50kg per screen
Angle adjustment range	+/- 45°
VESA® & non-VESA fixings	up to 900mm*
Colour (base & interface arms)	Black
Colour (columns & rails)	Black or Silver

### FEATURES

- Universal design suitable for all videowall screens
- High-end aesthetic quality
- Easy to use angle adjustment - set before or after installation
- Integrated angle guides eliminate the need to measure required angles
- Integrated rail mounting guides ensure the join position is consistent throughout the installation without the need to measure
- Tool-less micro-adjustments for seamless screen alignment
- Also available with pop-out interface arms
- Heavy duty freestanding base allows columns to be individually assembled and positioned, for an easy installation
- Supplied with adjustable levelling feet to accommodate uneven floor surfaces
- Integrated cable management
- Universal screen position spacer to speed up the installation process
- Safety screws help prevent unauthorised removal of screens
- Simple installation with all mounting hardware included
- TUV certified



SYSTEM X™  
 TÜV Rheinland  
 CERTIFIED

75" 190CM VESA 900 50KG



Angle up to +/-45° to create a concave or convex curved videowall



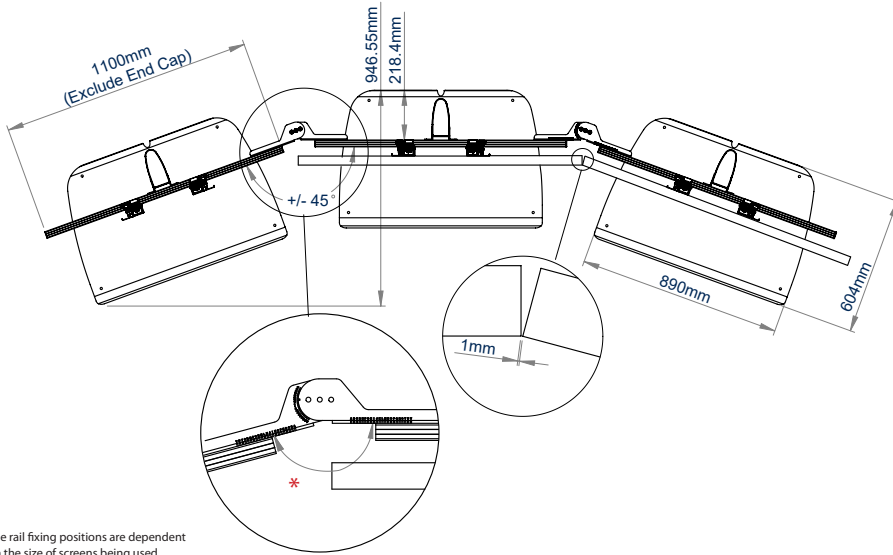
Tool-less micro-adjustment for seamless screen alignment



Heavy duty freestanding base allows columns to be individually assembled and positioned, for an easy installation

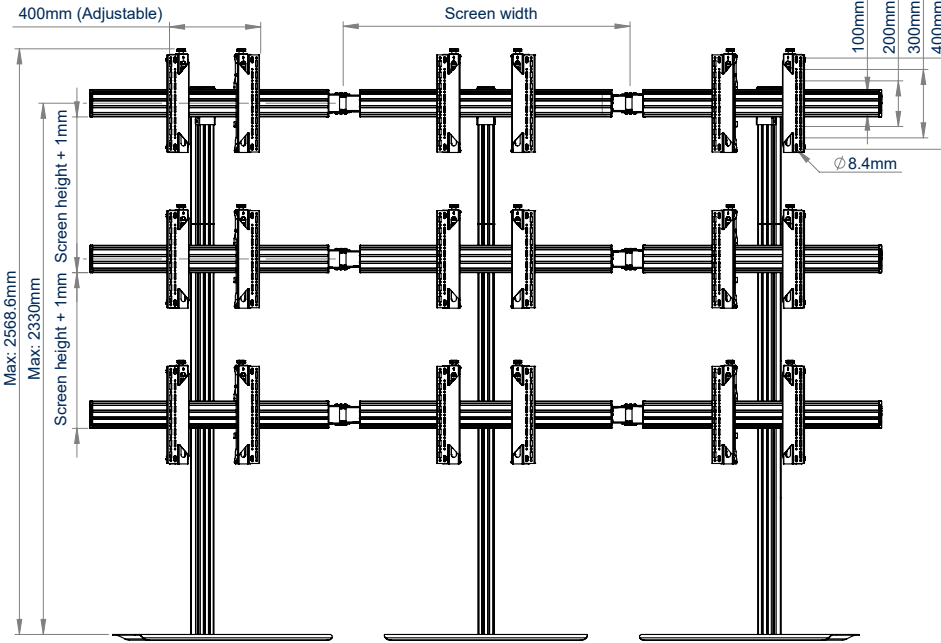


Integrated cable management covers hide untidy cables and add to the stylish finish

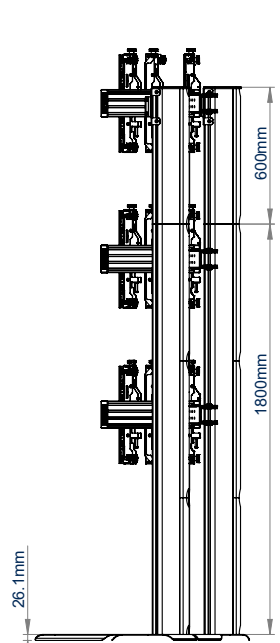


\*The rail fixing positions are dependent on the size of screens being used.

TOP VIEW



FRONT VIEW



SIDE VIEW

PACKING INFORMATION

PLEASE NOTE, THIS IS A MULTI-BOX ITEM

COLOUR:	ORDER REF:	EAN CODE:
Black w/ Black Columns	BT8376/BB	5019318301506
Black w/ Silver Columns	BT8376/BS	5019318301513

ORIGINAL DESIGNS BY B-TECH AV MOUNTS - REGISTERED DESIGNS & PATENTS APPLY

ACCESSORIES AND RELATED PRODUCTS

BT8373



Universal Freestanding Curved Video Wall Stand shown as a 2x4 Video Wall

BT8375



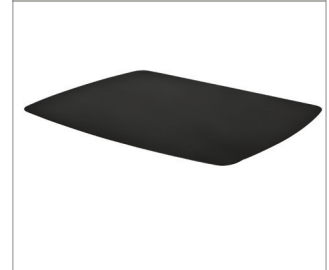
Universal Blot Down Curved Video Wall Stand shown as a 2x4 Video Wall

BT8390-VESA400MAP



Universal Pop-Out Interface Arms with Micro-adjustment for medium & large screens

BT7032 / BT7033/ BT7863



AV Accessory Shelves can be attached directly to a vertical column

© 2018 B-Tech Av Mounts Ltd. All rights reserved. This information is for informational purposes only and does not constitute an offer or a contract. The information is provided as a guide only and is subject to change without notice. B-Tech Av Mounts Ltd. is not responsible for any damage caused by improper or misuse of its products. Any reproduction or transmission of any part of this specification is strictly prohibited, unless prior written permission has been granted by B-Tech Av Mounts Ltd. EUC.

SS-V3.1-BT8376-200923