



B-TECH AV MOUNTS

B-TECH AV MOUNTS



AVAILABLE
IN MULTIPLE
CONFIGURATIONS

BT8375

UNIVERSAL BOLT DOWN CURVED VIDEOWALL STAND

Designed to create curved videowalls, the BT8375 is a bolt down mounting solution with a universal design suitable for all videowall screens from 39" to 75". As part of B-Tech's dynamic System X range, this contemporary mounting solution is lightweight yet incredibly strong, has a high-end aesthetic quality and comes with important time saving features such as integrated angle guides, tool-less micro-adjustment and a universal screen position spacer to speed up the installation process.

SPECIFICATION

For screen sizes	39" - 75"
Max load	50kg per screen
Angle adjustment range	+/- 45°
VESA® & non-VESA fixings	up to 900mm*
Base Thickness	6mm
Colour (base & interface arms)	Black
Colour (columns)	Black or Silver

FEATURES

- Configurable mounting solution available to order to your requirements, from stock - see configurator info
- Universal design suitable for all videowall screens
- High-end aesthetic quality
- Easy to use angle adjustment
- Integrated angle guides eliminate the need to measure required angles
- Integrated rail mounting guides ensure the join position is consistent throughout the installation without the need to measure
- Tool-less micro-adjustments for seamless screen alignment
- Also available with pop-out interface arms
- Discreet, small footprint base
- Integrated cable management
- Universal screen position spacer to speed up the installation process
- Safety screws help prevent unauthorised removal of screens
- Simple installation with all mounting hardware included
- TUV certified



SHOWN IN A 4X2
CONFIGURATION



SYSTEM X™

75"
190cm

VESA
900

50KG



PER SCREEN

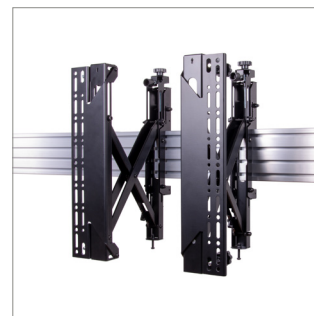
*Refers to maximum vertical fixing dimension for a typical configuration. Correctly sized interface arms and adaptors will be supplied as necessary to suit the mounting pattern you require.



Angle up to +/-45° to create a concave or convex curved videowall



Tool-less micro-adjustment for seamless screen alignment



Option for BT8390-VESA400MAP pop-out arms when ordering



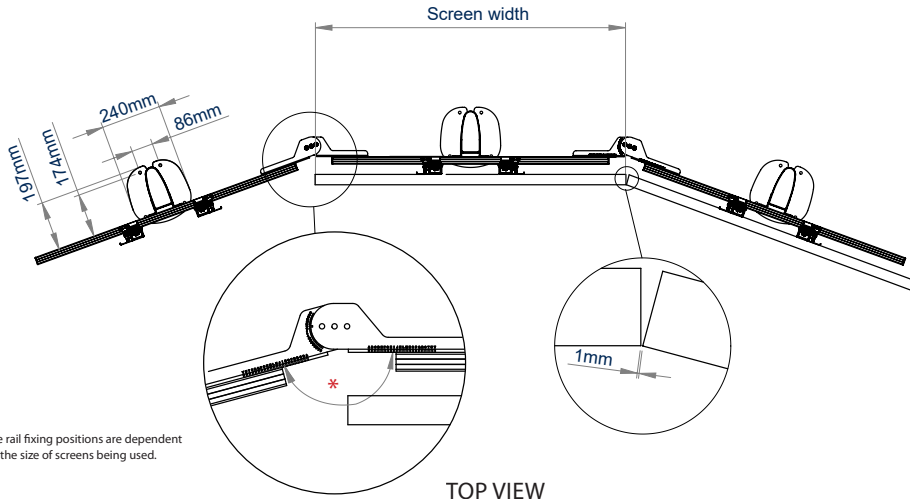
Integrated cable management covers hide untidy cables and add to the stylish finish



B-TECH PROFESSIONAL

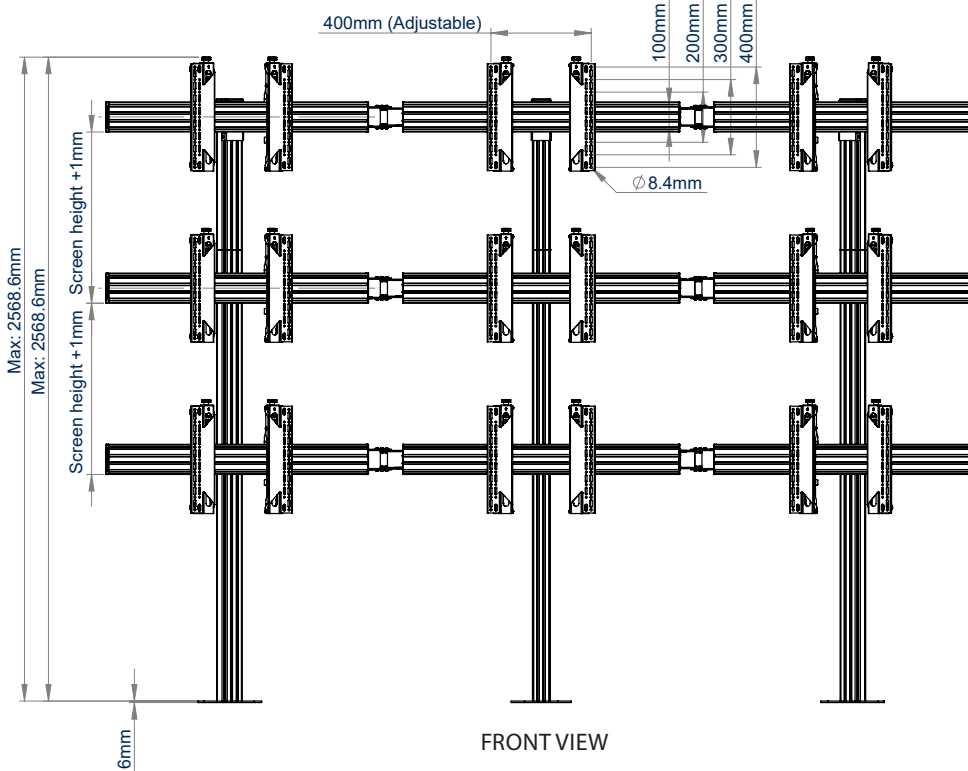


For More Information Visit www.btechavmounts.com

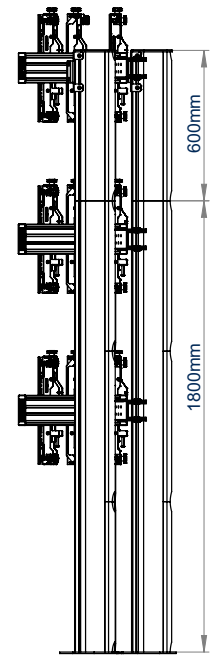


*The rail fixing positions are dependent on the size of screens being used.

TOP VIEW



FRONT VIEW



SIDE VIEW

PACKING INFORMATION

PLEASE NOTE, THIS IS A MULTI-BOX ITEM

COLOUR:	ORDER REF:	EAN CODE:
Black w/ Black Columns	BT8375/BB	5019318301483
Black w/ Silver Columns	BT8375/BS	5019318301490

ORIGINAL DESIGNS BY B-TECH AV MOUNTS - REGISTERED DESIGNS & PATENTS APPLY

ACCESSORIES AND RELATED PRODUCTS



BT8373 Universal Freestanding Curved Video Wall Stand shown as a 2x4 Video Wall



BT8374 Universal Mobile Curved Videowall Stand shown as a 2x4 Video Wall



BT8376 Universal Freestanding Curved Videowall Mount shown in 2x4 configuration



BT7032 / BT7033 / BT7863 AV Accessory Shelves can be attached directly to a vertical column

© 2015 B-Tech Av Mounts Ltd. All rights reserved. This information is provided for informational purposes only. It is not intended to be used as a substitute for professional advice. B-Tech Av Mounts Ltd. is not responsible for any damage caused by improper use, installation or modification of any part of the equipment. B-Tech Av Mounts Ltd. is not responsible for any damage caused by improper use, installation or modification of any part of the equipment. B-Tech Av Mounts Ltd. is not responsible for any damage caused by improper use, installation or modification of any part of the equipment. B-Tech Av Mounts Ltd. is not responsible for any damage caused by improper use, installation or modification of any part of the equipment.