

APB-D116 R-D

Active, 19" rack, 1 Line Input, 1 Dante Input, 16 Line/MIC Outputs, 1 buffered expander output

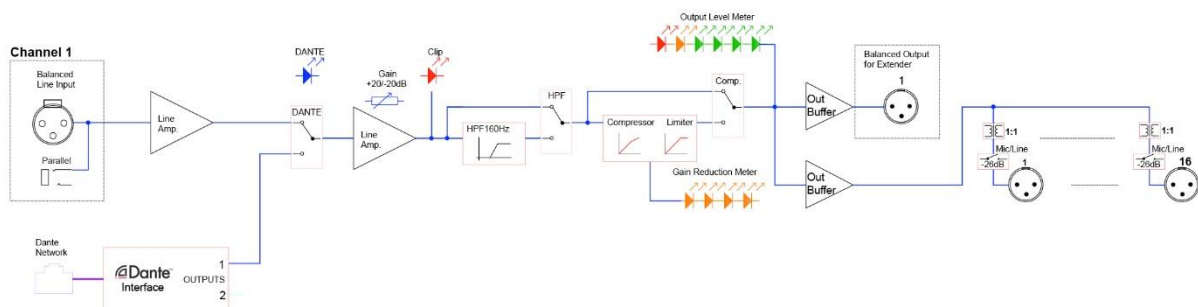


Features

- 1 Balanced LINE Input – XLR/ 6.3mm JACK
- 1-channel DANTE input with high-quality digital-to-analogue converter
- You can switch between Line or Dante input, depending on your needs
- 16 High quality balanced, individually transformer isolated outputs
- Each Output is switchable between MIC or LINE level
- Switchable High-Pass filter for each Input channel
- Switchable Compressor and Limiter for each Input channel
- 1 separately buffered Output that can drive 3x APB-008 or 1x APB-024 Output expanders
- Maximum drive capacity 24 Line/MIC Outputs.

Drive unit for : APB-008 SB-EX, APB-008 IW-EX, APB-008 OW-EX, APB-008 FB-EX, APB-024 R-EX, APB-P008 OW-EX, APB-P008 IW-EX, APB-P112 SB-EX

BLOCK DIAGRAM APB-D116 R-D



Audio Press Box[®]

Audio Press Box APB-D116 R-D

Type 1 in 16 out

Groups 1

Input section

Inputs 1 (Line or Dante)

Input connectors Balanced, XLR / 6.3 mm JACK, RJ45-Dante

Max. input level Line: +32/+2 dBu

Input Impedance >5kOhm

Output section

Outputs 16 Line/MIC level, 1 buffered output for expanders (max 24 Line/MIC outputs)

Output connectors Balanced, XLR

Nominal Output Level +6dBu (front outputs)

Maximum Output Level +20dBu (no load)
+14dBu (600Ohm)

Output impedance Mic: 220 Ohm Line: 600 Ohm

Transformer isolated outputs: Yes (**each output**)

SNR 86dB at 0dB Gain
78dB at +20dB Gain

Frequency Response 20/160Hz (filter) to 36kHz/-3dB (front outputs)

Controls Input gain, Dante switch, High-pass filter, Compressor, Output PAD

Indicators Input clip, Dante, Output level, Gain reduction, Power

Power Supply 24V DC, 1A external adaptor

Dimensions (WxHxD) 2 RU, 480x88x130mm

Weight 3,3 kg