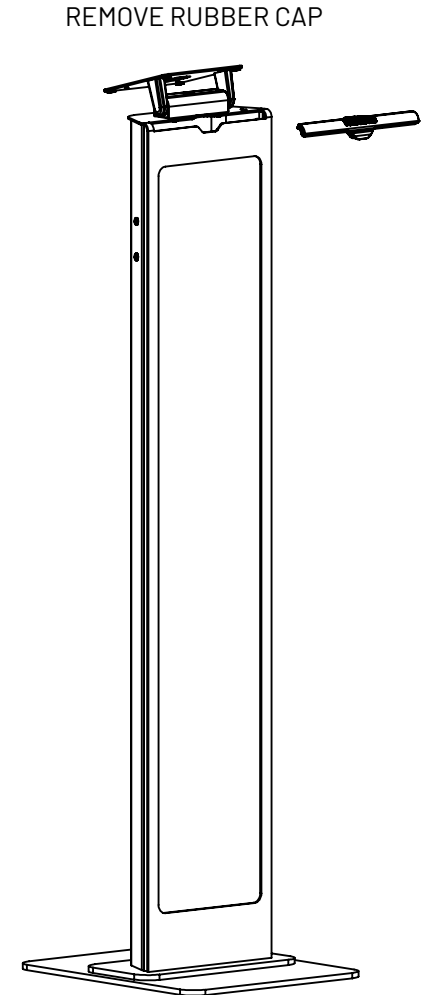
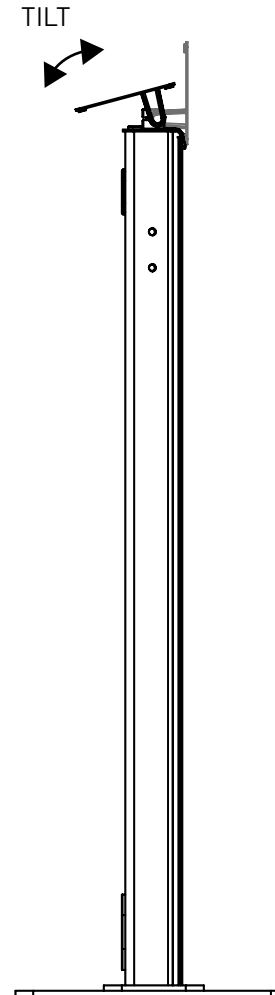
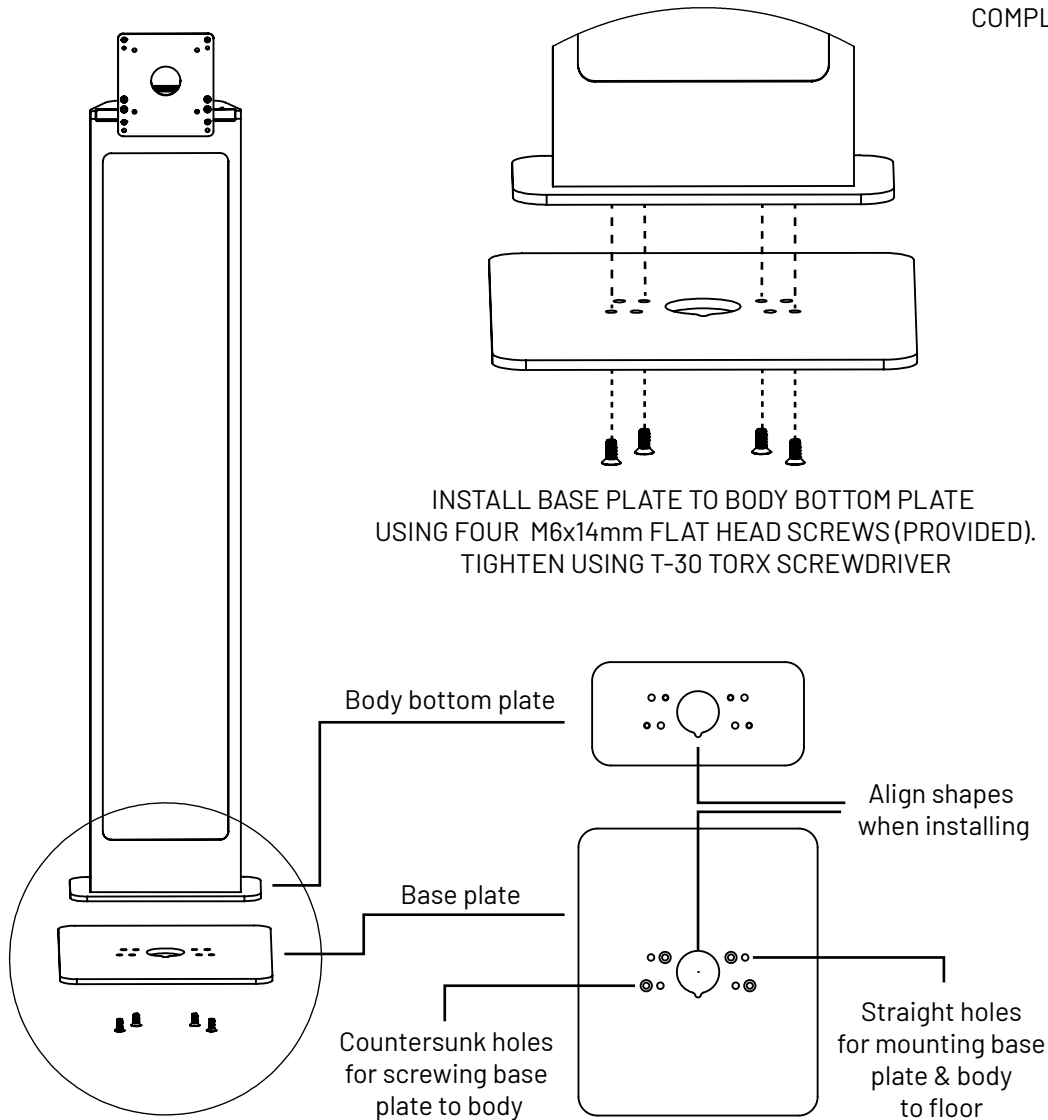


1 Floor Mounting Option - Freestanding

1A Floor Mounting Option - Bolt To Floor

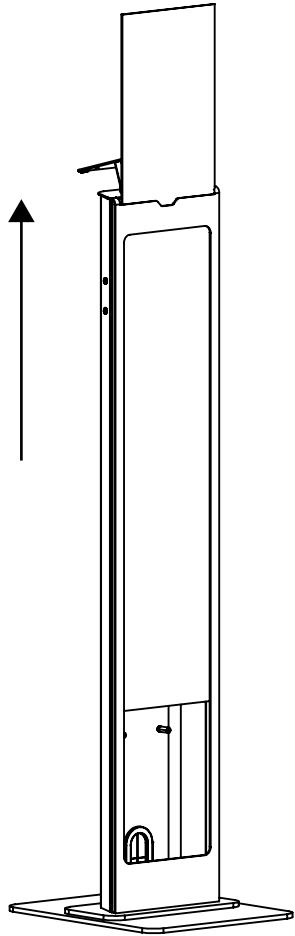
COMPLETE STEP 1



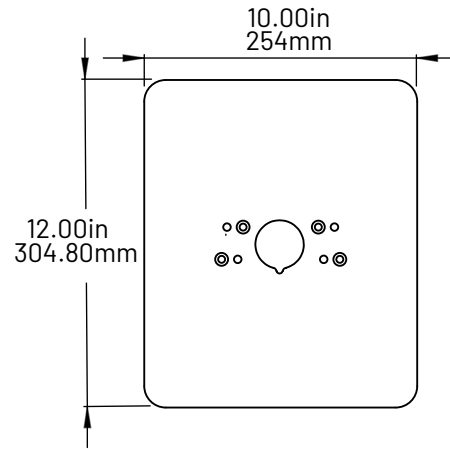
*NOTE: FLOOR STAND MUST BE TRANSPORTED WITHOUT THE STABILITY PLATE ATTACHED TO PREVENT DAMAGE.

1A - Continued

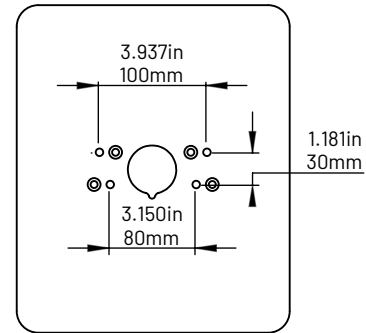
TAKE OUT COVER PANEL



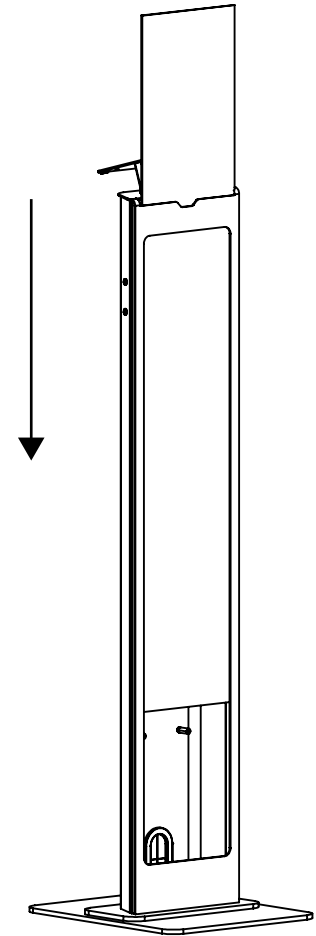
BOTTOM PLATE SIZE



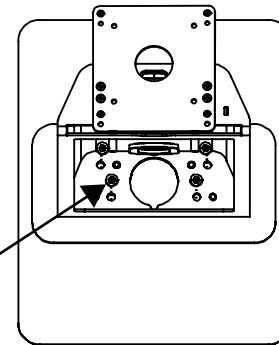
FLOOR MOUNTING PATTERN



PUT THE COVER PANEL BACK

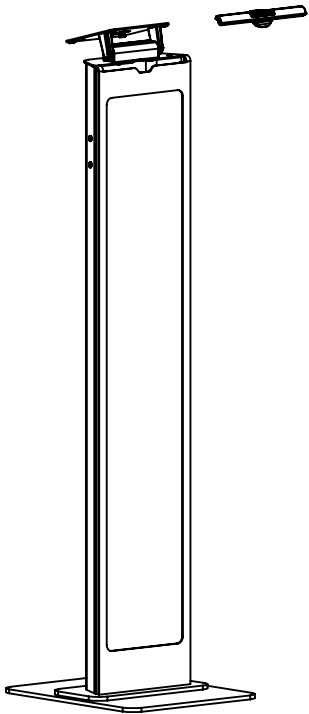


LOCATE SCREW HOLES IN BODY
BOTTOM PLATE
BOLT TO FLOOR USING
APPROPRIATE BOLTS
FOR FLOOR TYPE (NOT PROVIDED)

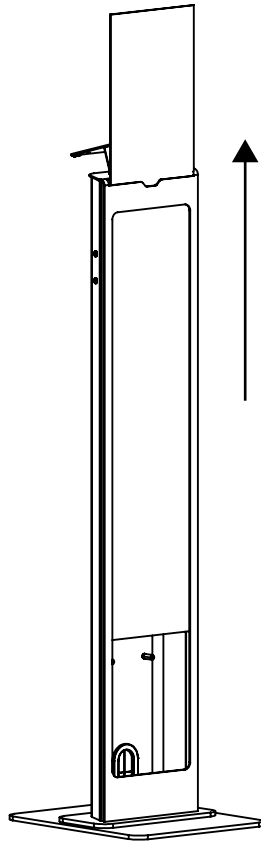


2 Cable Management Options

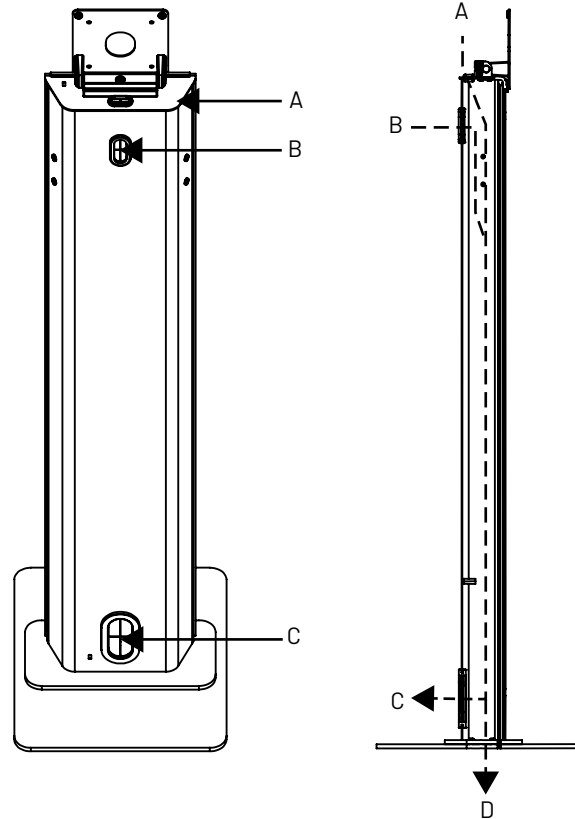
REMOVE RUBBER CAP



TAKE OUT COVER PANEL

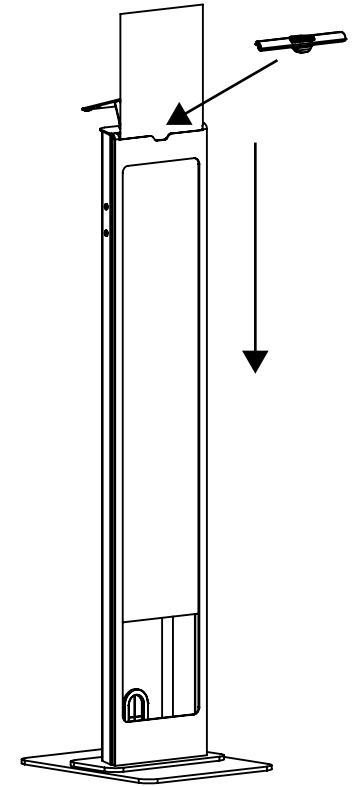


A - INLET IN TOP PLATE
B - INLET IN BACK PLATE
C - EXIT IN BACK PLATE
D - EXIT IN BASE PLATE



1. PUT THE COVER PANEL BACK
2. PUT BACK THE RUBBER CAP*

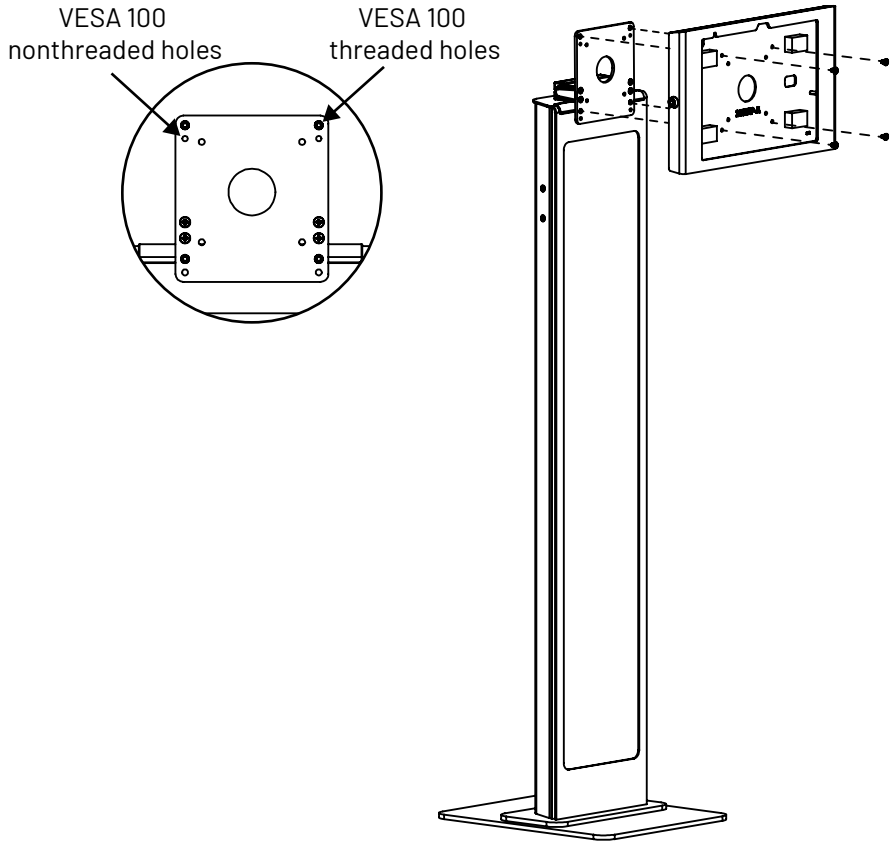
*for easier insertion of the rubber cap,
use a flat head screwdriver or simlliar
object to adjust the cap.



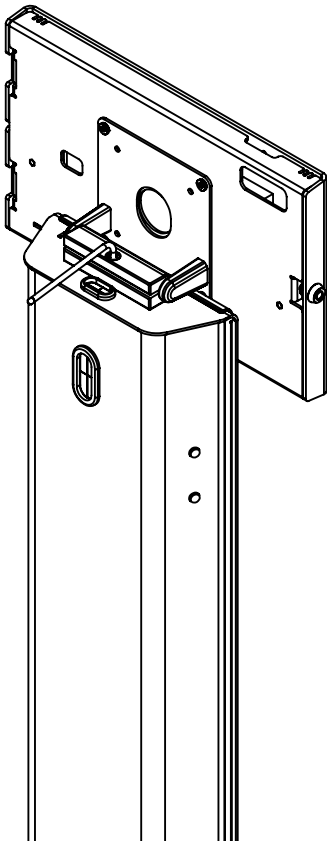
3A Install Device

3B

INSTALL YOUR TABLET ENCLOSURE
(OR VESA COMPATIBLE MOUNTING SOLUTION)
USING FOUR M4x8mm PHILLIPS PAN HEAD SCREWS (PROVIDED)

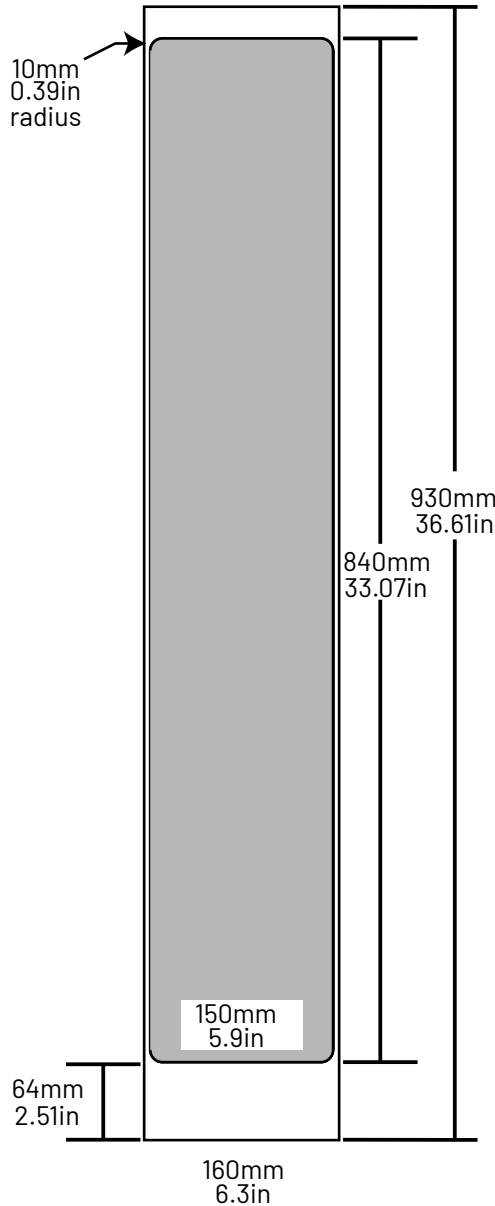


ADJUST TILT RESISTANCE BY
TIGHTENING THE SCREW LOCATED
ON THE HINGE ASSEMBLY



Graphic Panel Specifications

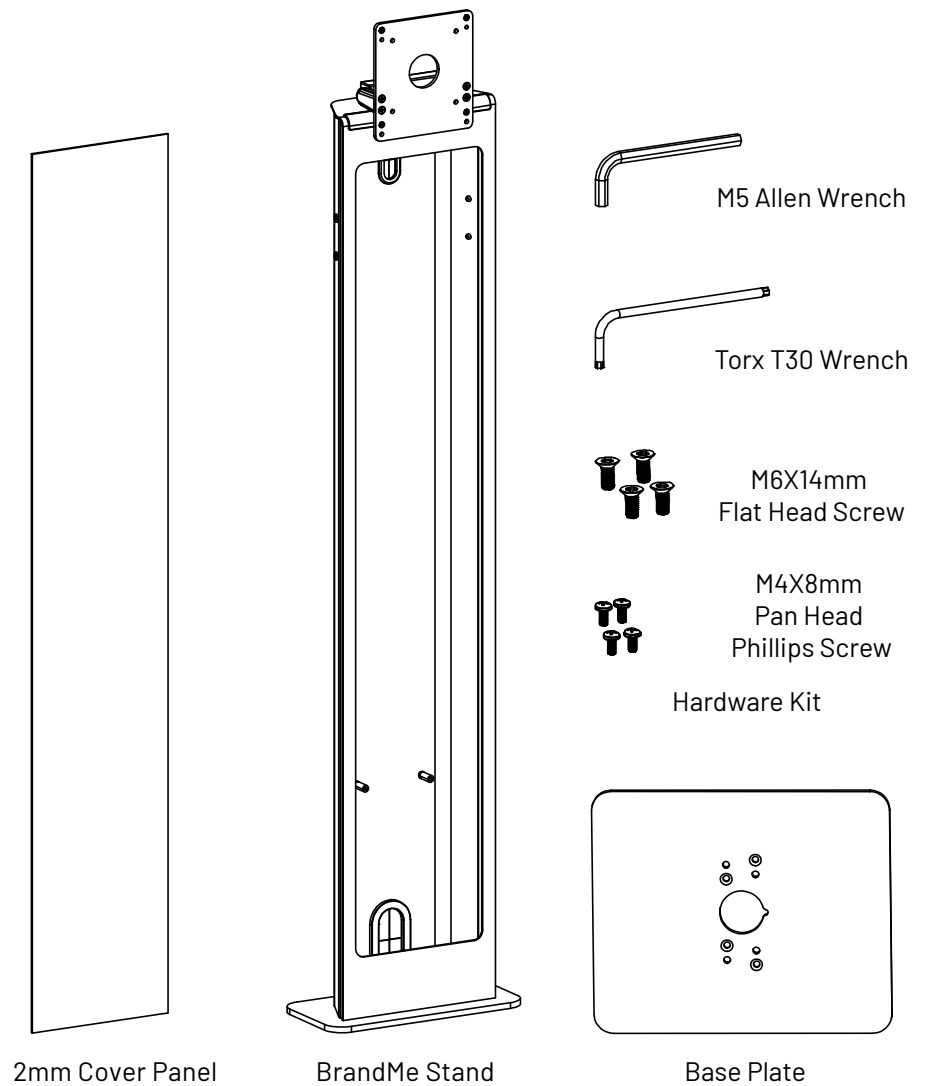
In The Box



panel information:
 Graphics panel thickness
 5mm ±5% max
 0.2in±5% max

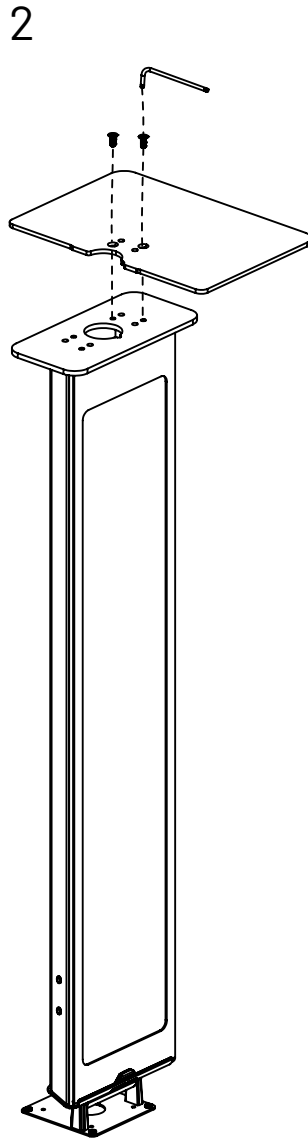
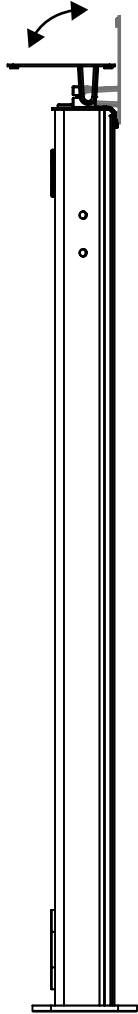
Panel material examples:
 Backlit: clear acrylic/polycarbonate*
 Standard: foam board, foamed PVC panel*

*examples only, consult chosen printing services for recommended material and print methods.

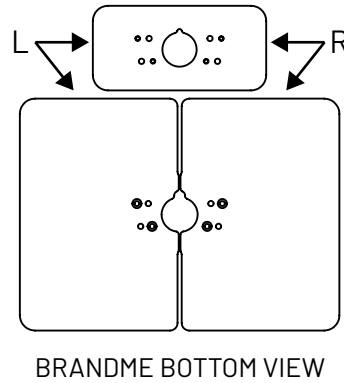


Assembly Instructions

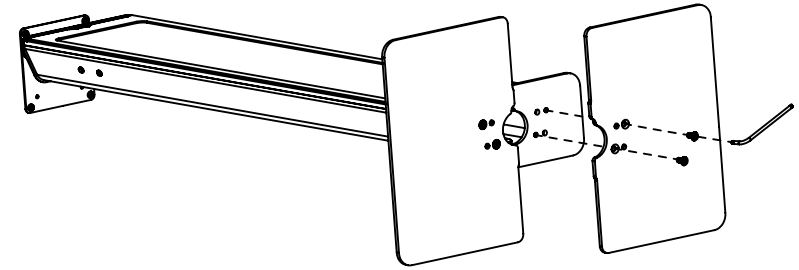
1 TIGHTEN VESA MOUNTING PLATE AT 90°



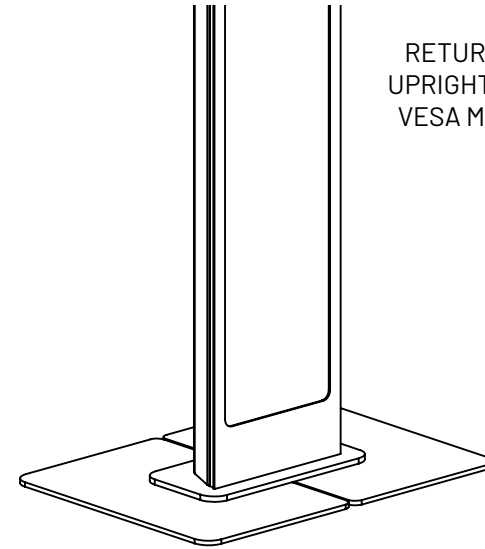
2 INVERT BRANDME TO STAND ON THE VESA MOUNTING PLATE AND INSTALL ONE BASE PLATE (L to L OR R to R) TO THE BOTTOM PLATE USING 2 x M6x14mm FLATHEAD SCREWS & TIGHTEN USING T-30 TORX SCREWDRIVER (SUPLLIED WITH BRANDME STAND)



3 LAY BRANDME ON THE FLOOR/FLAT SURFACE AND INSTALL THE SECOND BASE PLATE (L to L OR R to R) USING 2 x M6x14mm FLATHEAD SCREWS & TIGHTEN USING T-30 TORX SCREWDRIVER (SUPLLIED WITH BRANDME STAND)



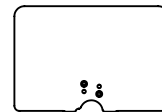
4 RETURN BRANDME TO UPRIGHT AND READJUST VESA MOUNTING PLATE



In The Box



Left Base Plate



Right Base Plate

VESA 100x100 to 200x200 Adapter

SKU:VESA200ADPB

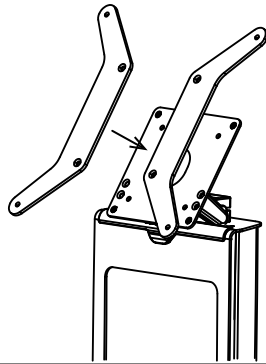
COMPULOCKS

Assembly Instructions

1

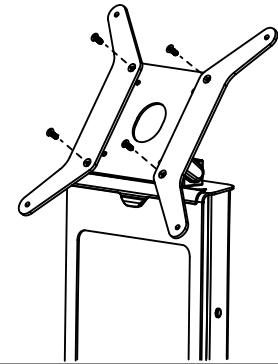
PLACE TWO PARTS OF VESA 200 ADAPTER ONTO THE VESA 100 PLATE OF YOUR STAND.

*NOTE: POSITION THE ADAPTER SO THE ANGLED SCREW HOLES FACE OUTWARD TOWARD YOU.



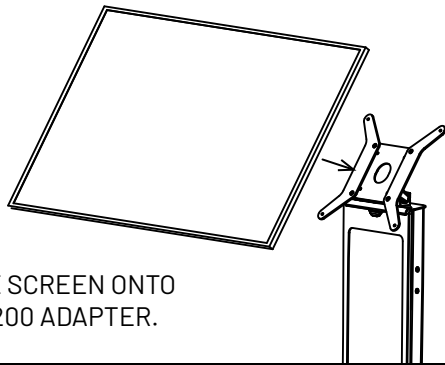
2

USE M4 7 X 10mm PHILLIPS FLAT HEAD SCREWS (PROVIDED) TO SECURE VESA 200 ADAPTER TO VESA 100 PLATE OF YOUR STAND.



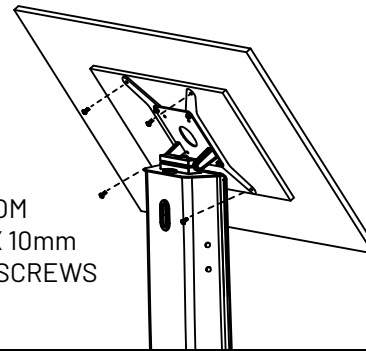
3

PLACE SCREEN ONTO VESA 200 ADAPTER.

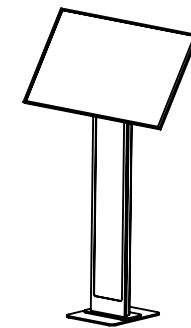


4

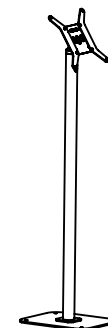
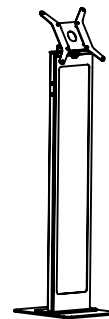
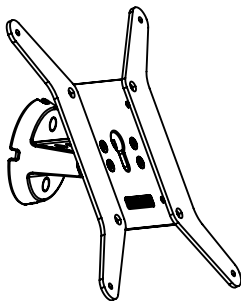
SECURE SCREEN FROM BEHIND USING M4 7 X 10mm PHILLIPS PAN HEAD SCREWS (PROVIDED).



5



FITS VESA 100*100 MOUNT STANDS



IN THE BOX



M4 7 X 10mm
Phillips Flat Head Screw



M4 7 X 10mm
Phillips Pan Head Screw



VESA 100x100 to
200x200 Adapter