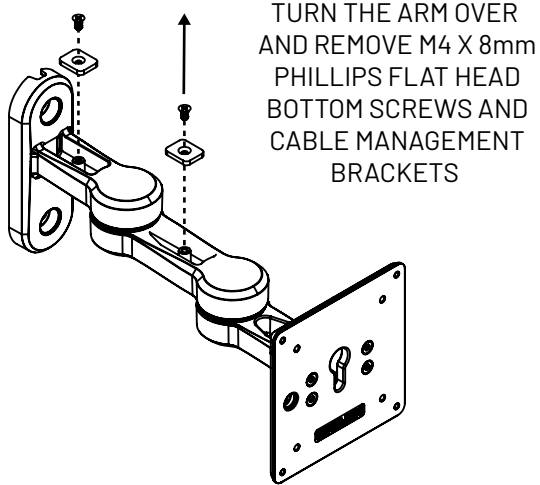
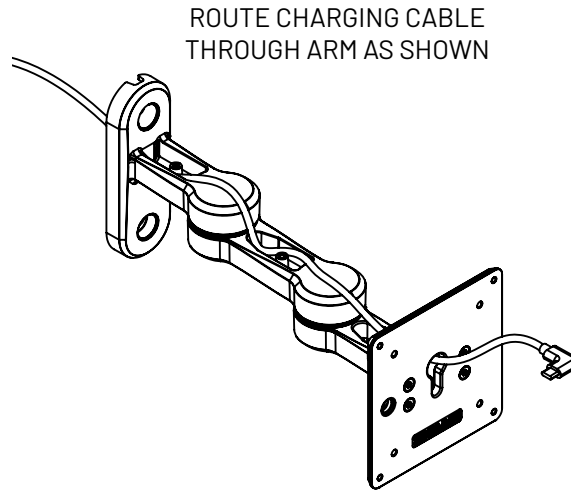


Through Mount Cable Assembly

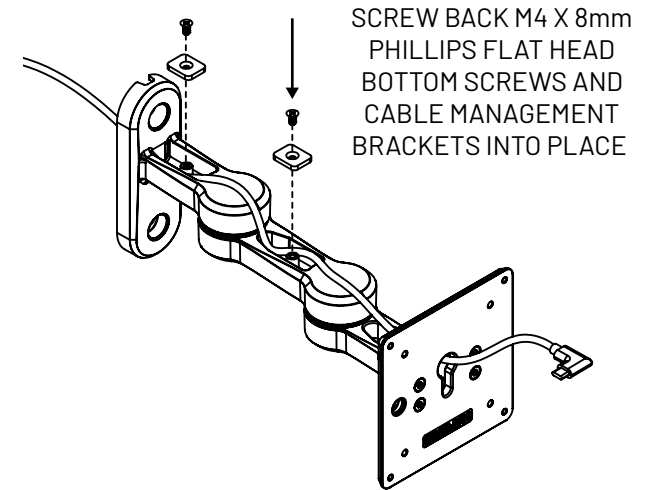
1



2

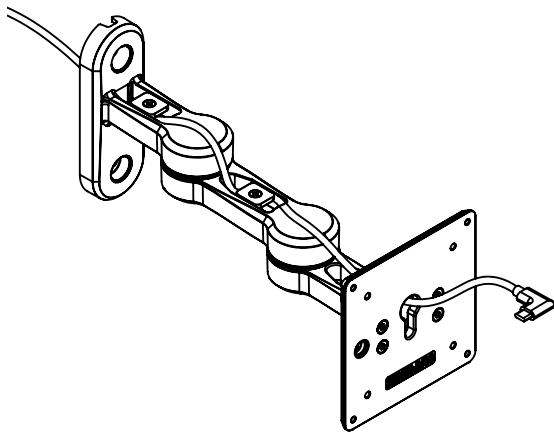


3



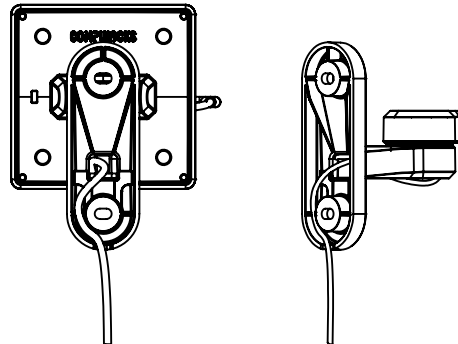
4

ADJUST CABLE LENGTH



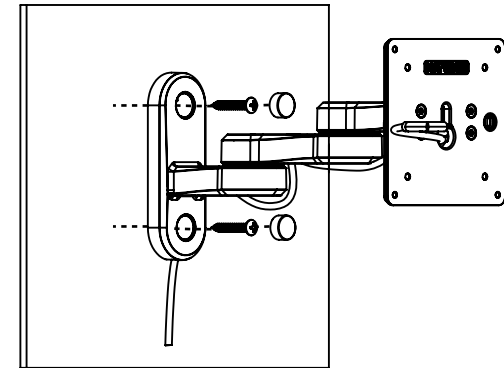
5

TURN THE ARM BACK OVER AND ROUTE CHARGING CABLE OUT OF THE ARM OR THROUGH THE WALL



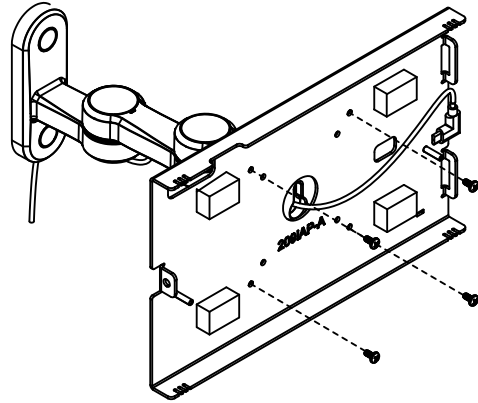
6

INSTALL THE ARM ONTO THE WALL USING M5 X 40mm PHILLIPS PAN HEAD SCREWS (PROVIDED) **TOP SCREW FIRST AND THEN THE BOTTOM SCREW** AND THEN PLACE SCREW CAPS

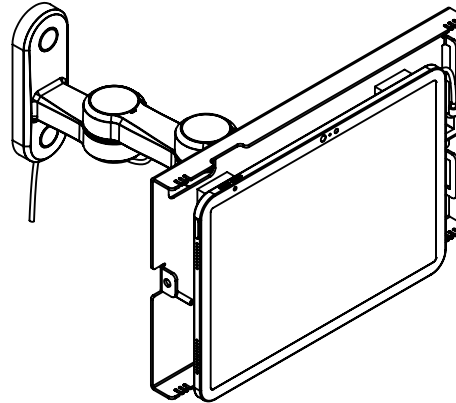


NOTE: WALL MOUNTING TO STUDS OR CONCRETE WALL

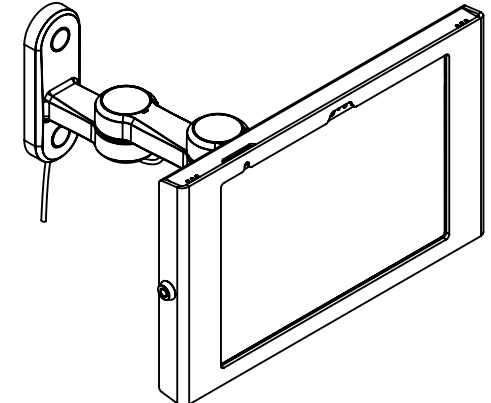
7 ROUTE CHARGING CABLE INTO THE ENCLOSURE OR UNIVERSAL VESA MOUNT. INSTALL ENCLOSURE/VESA MOUNT TO THE ARM USING M4 X 8mm PHILLIPS PAN HEAD SCREWS (PROVIDED)



8 ATTACH CHARGING CABLE TO TABLET, LEAVING A SMALL LOOP OF CABLE BENEATH THE TABLET

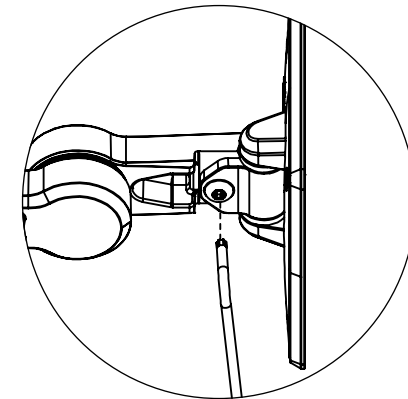
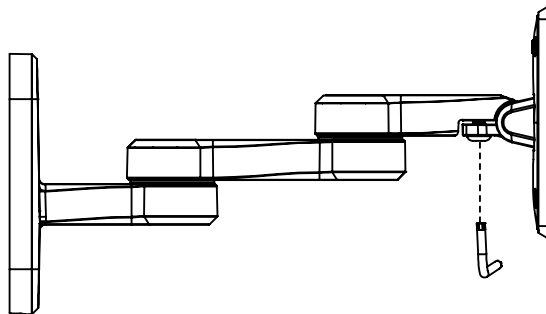


9 INSTALL THE ENCLOSURE TOP PLATE/VESA MOUNT PER THEIR INSTRUCTIONS



Tilt Tension Adjustments

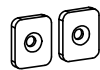
ADJUST HINGE TENSION USING WRENCH (PROVIDED)



IN THE BOX



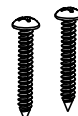
T25 TORX L-Wrench



Cable Management Brackets



Rubber Screw Caps



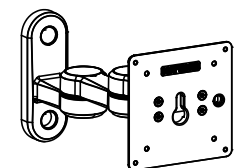
M5 X 40mm
 Phillips Pan Head
 Screws



M4 X 8mm
 Phillips Pan Head
 Screws

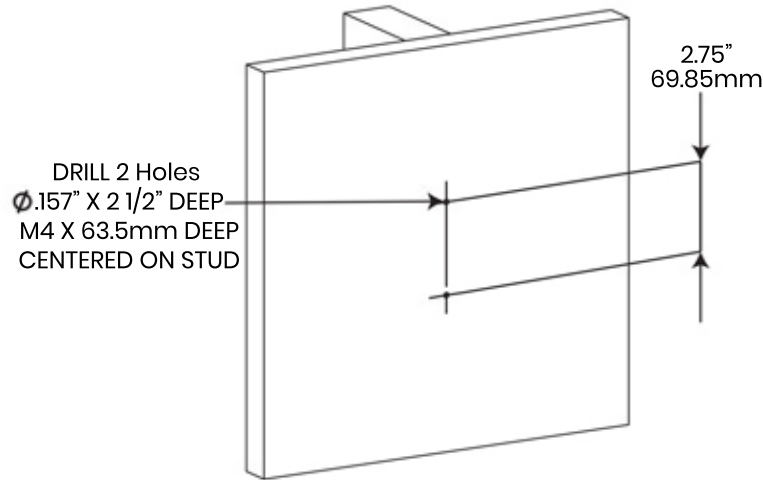


M4 X 8mm
 Phillips Flat Head
 Screws

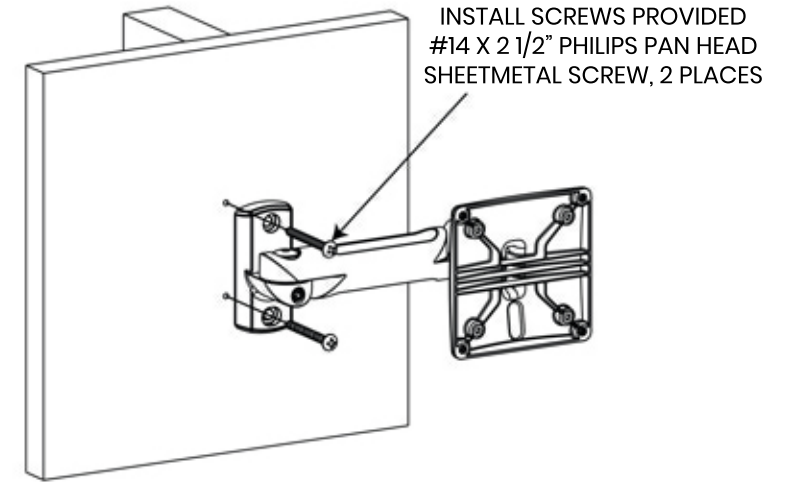


Swing Arm

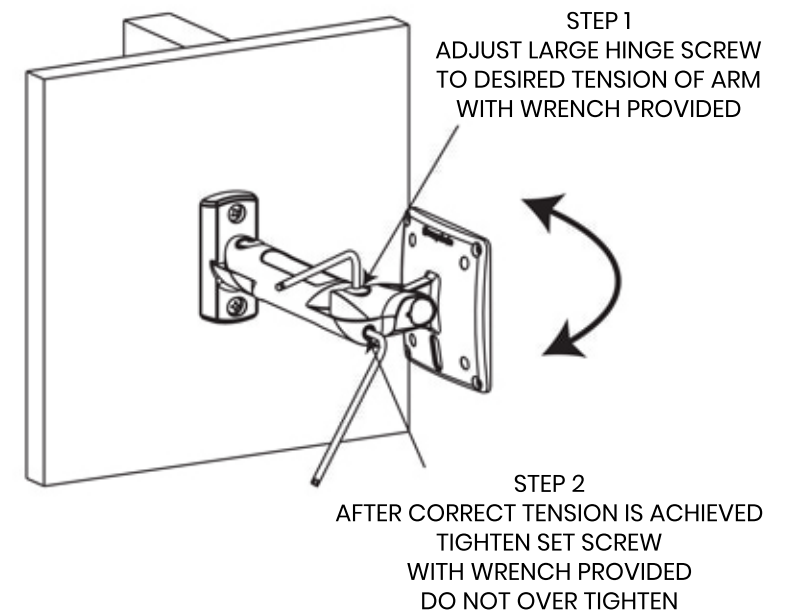
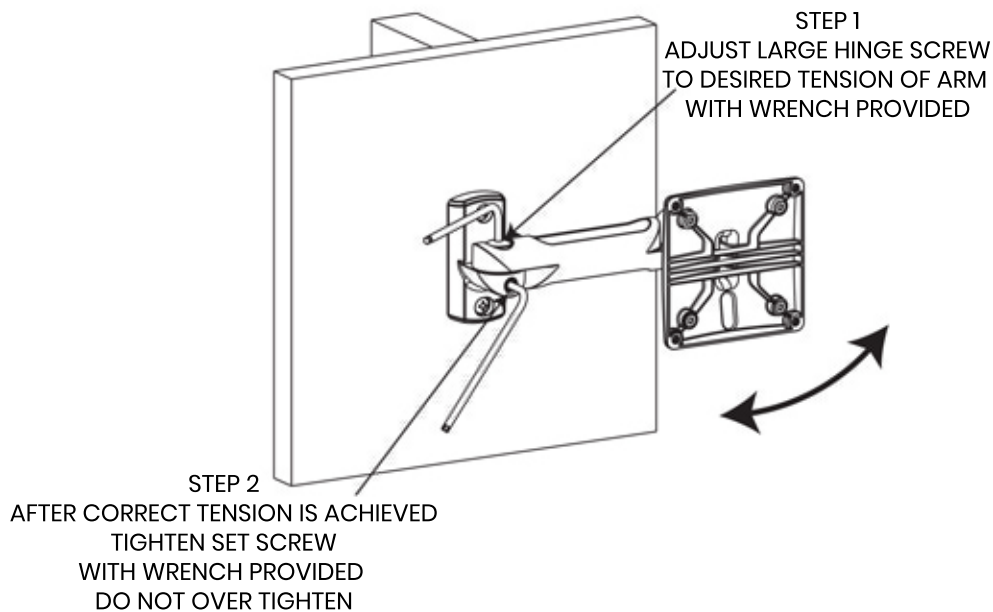
Wall Mounting - Wood Stud



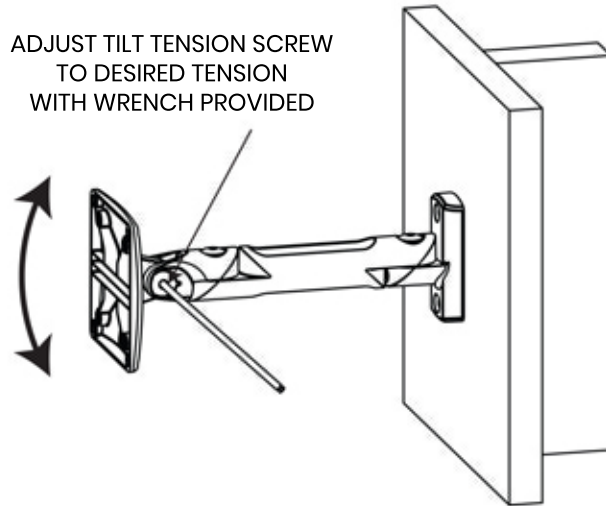
Wood Stud Installation



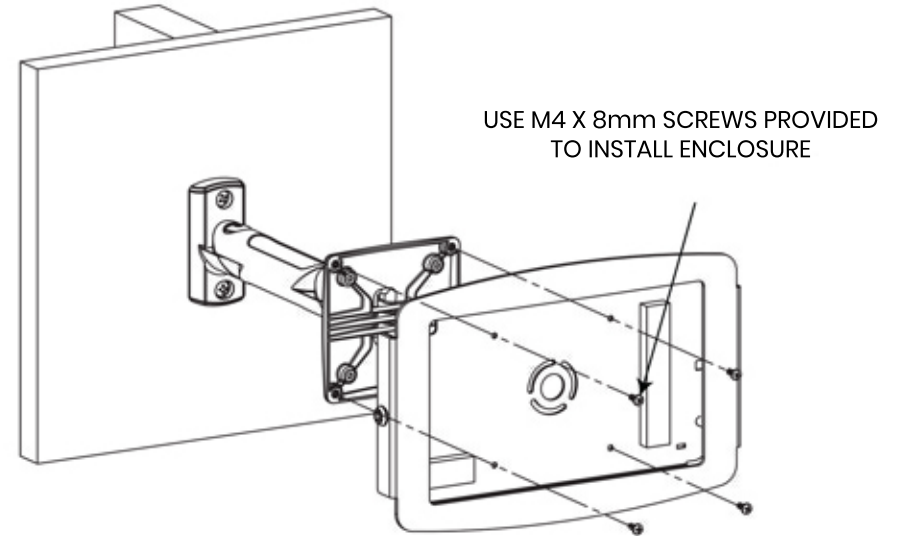
Hinge Adjustment



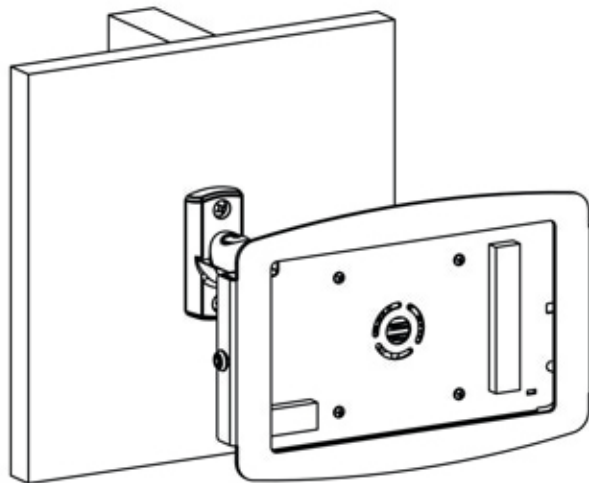
Tilt Adjustment



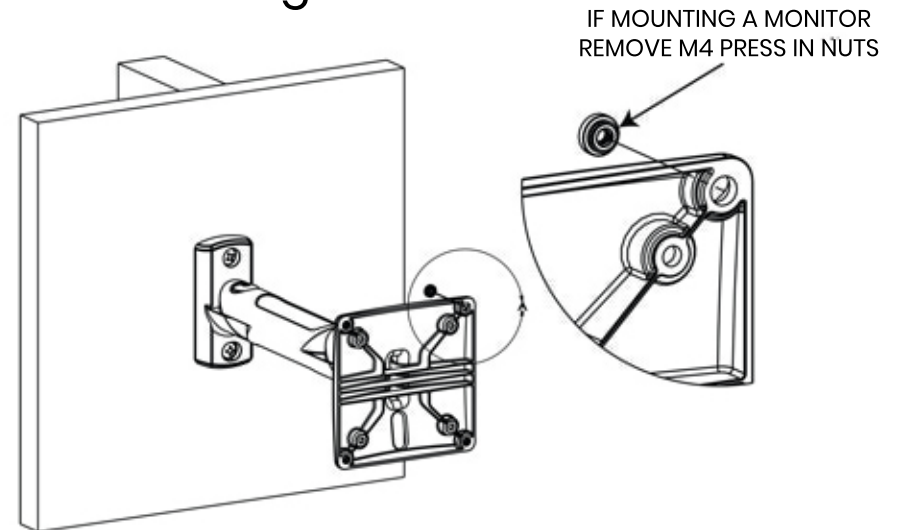
Enclosure Installation



Installation Complete



Monitor Mounting



**HARDWARE FOR MOUNTING THE MONITOR
IS NOT INCLUDED**