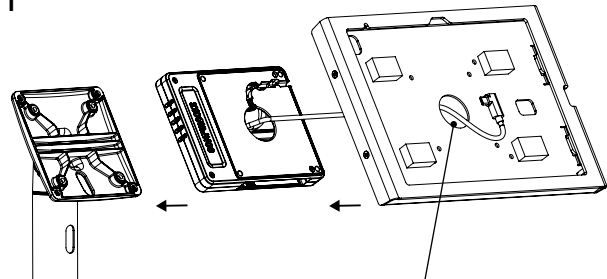


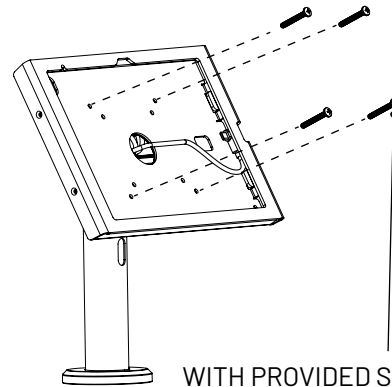
With Stand

1



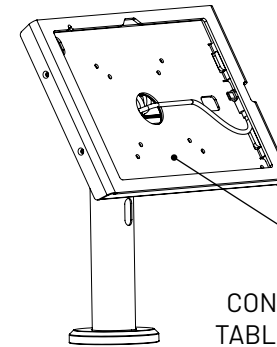
BRING THE PLUS HUB CABLE THROUGH THE CENTER HOLE OF THE BACKPLATE OF THE ENCLOSURE  
ALIGN SCREW HOLES ON ENCLOSURE, PLUS HUB AND STAND.

2



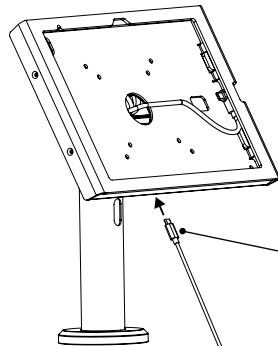
WITH PROVIDED SCREWS CONNECT THE ENCLOSURE THROUGH THE PLUS HUB TO THE STAND. TIGHTEN

3

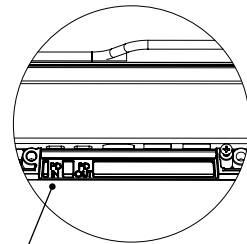


CONNECT PLUS HUB CABLE TO TABLET AND SECURE TOP PLATE AS PER INSTRUCTIONS PROVIDED FOR YOUR ENCLOSURE

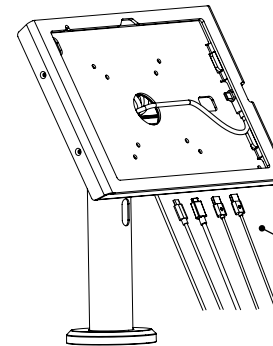
4



CONNECT POWER CABLE TO LEFT HAND INPUT PORT ON PLUS HUB

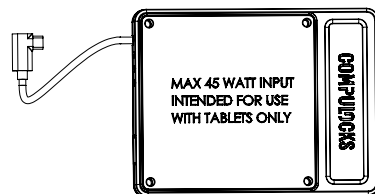


5

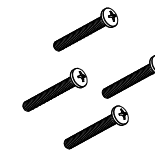


CONNECT OTHER CABLES TO PLUS HUB AS REQUIRED

IN THE BOX



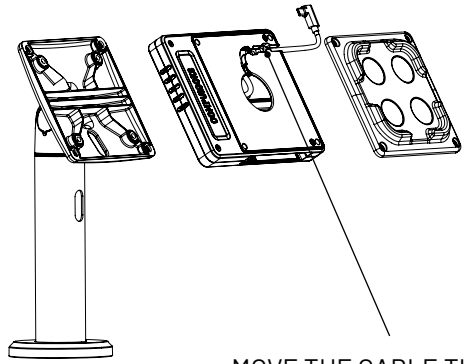
Plus Hub



Philips Pan Head M4, 30mm

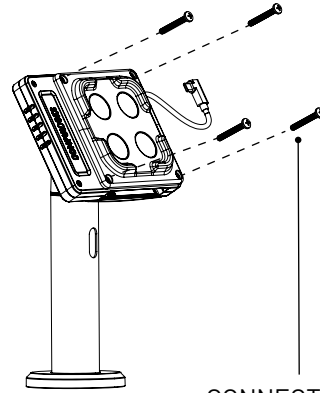
With Magnetix

1



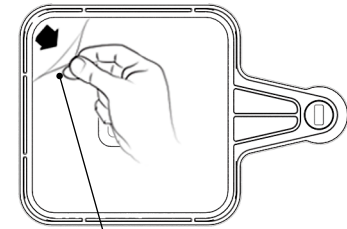
MOVE THE CABLE THROUGH THE  
CABLE ROUTING PLACE

2



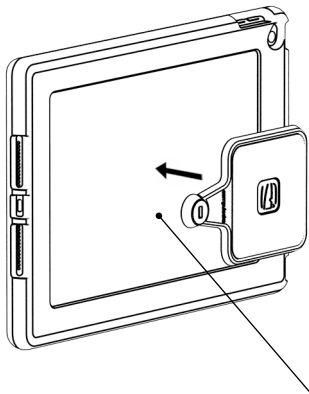
CONNECT WITH  
PROVIDED SCREWS

3



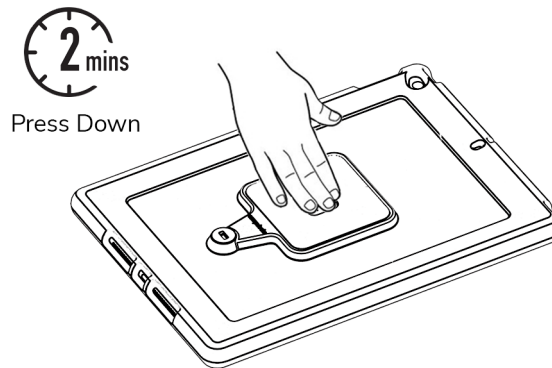
REMOVE COVER  
TO EXPOSE ADHESIVE

4



LOCATE THE MAGNETIX ADHESIVE  
IN THE MIDDLE OF THE TABLET

5



2 mins  
Press Down

6

