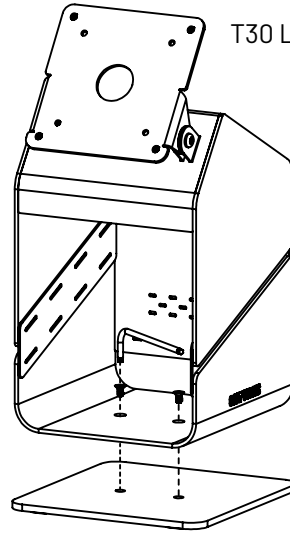
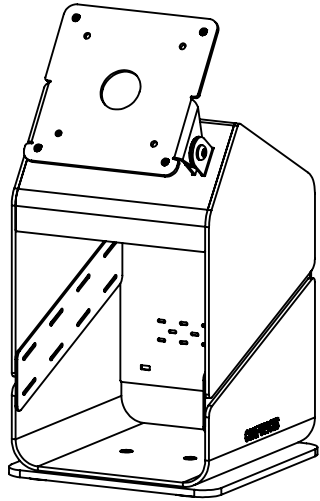
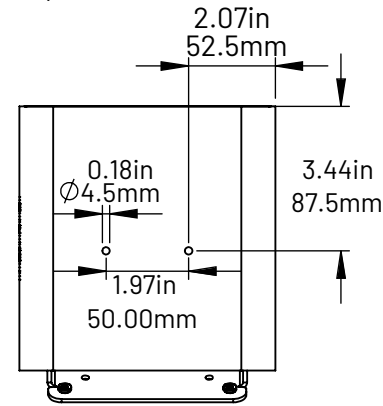


1 Free Standing or

Counter Mounting

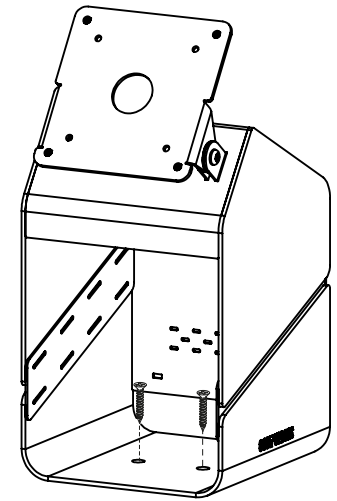


REMOVE M4 X 8mm TORX
SCREWS USING
T30 L-WRENCH (PROVIDED)
TO DETACH
STABILITY BASE



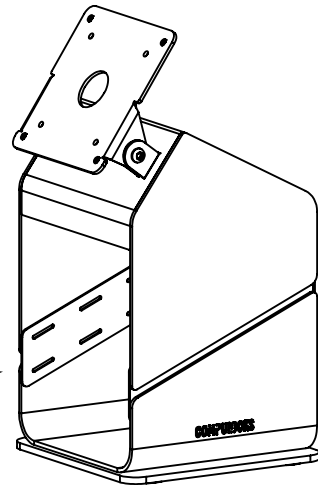
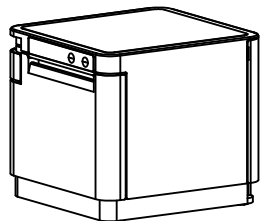
COUNTER MOUNTING PATTERN

MOUNTING SCREWS
NOT PROVIDED



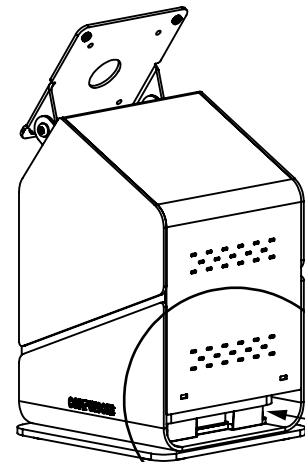
2

INSERT PRINTER

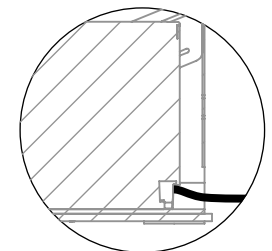
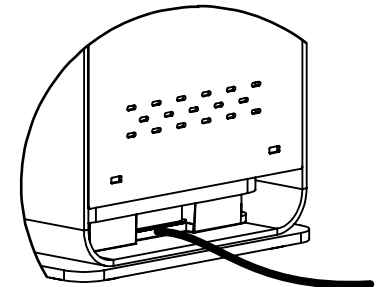


PRINTER NOT INCLUDED

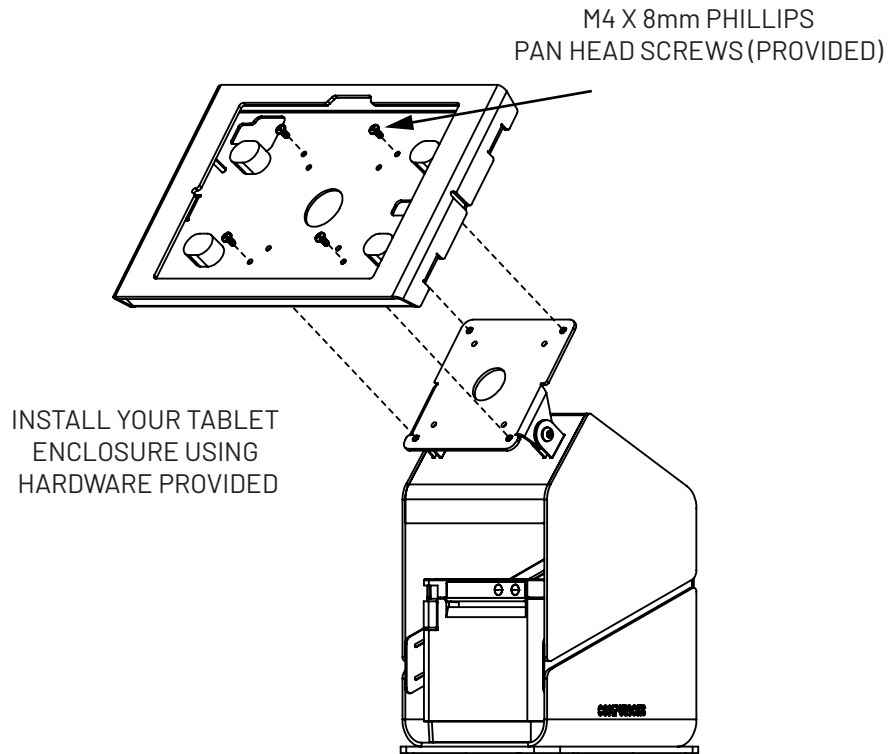
3



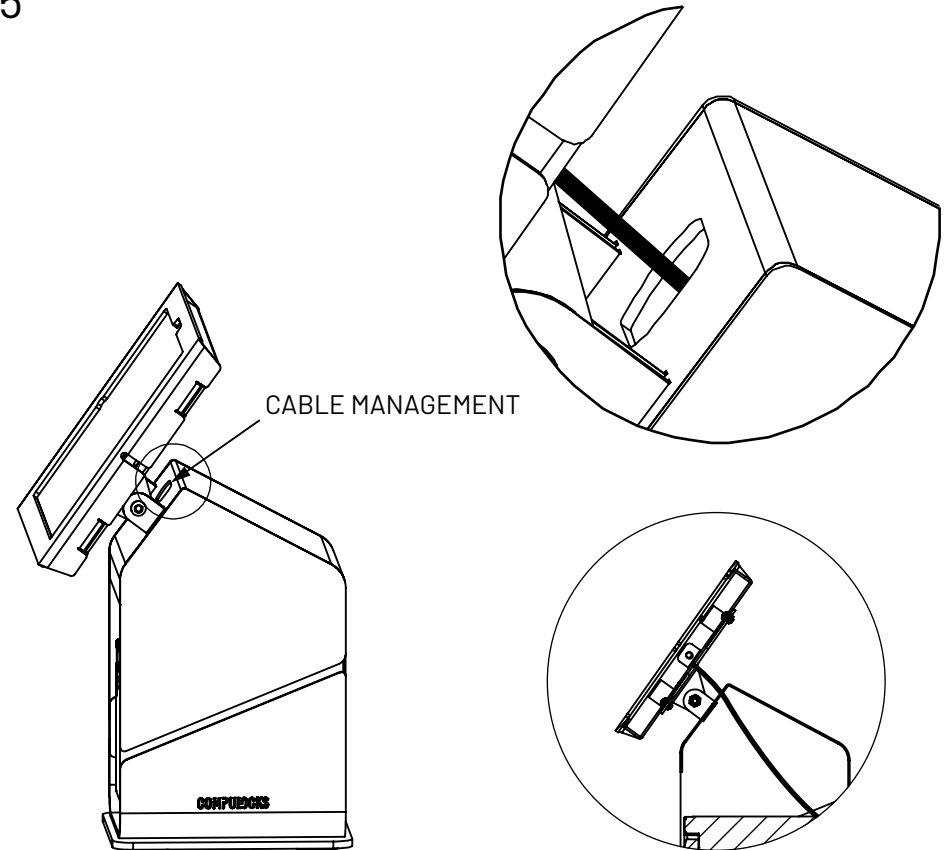
CABLE
MANAGEMENT



4



5



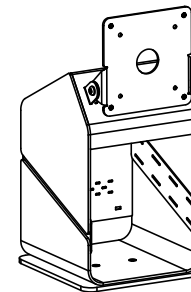
IN THE BOX



M4 X 8mm
Phillips Pan Head
Screws



T30 L-Wrench



Tablet Printer Kiosk